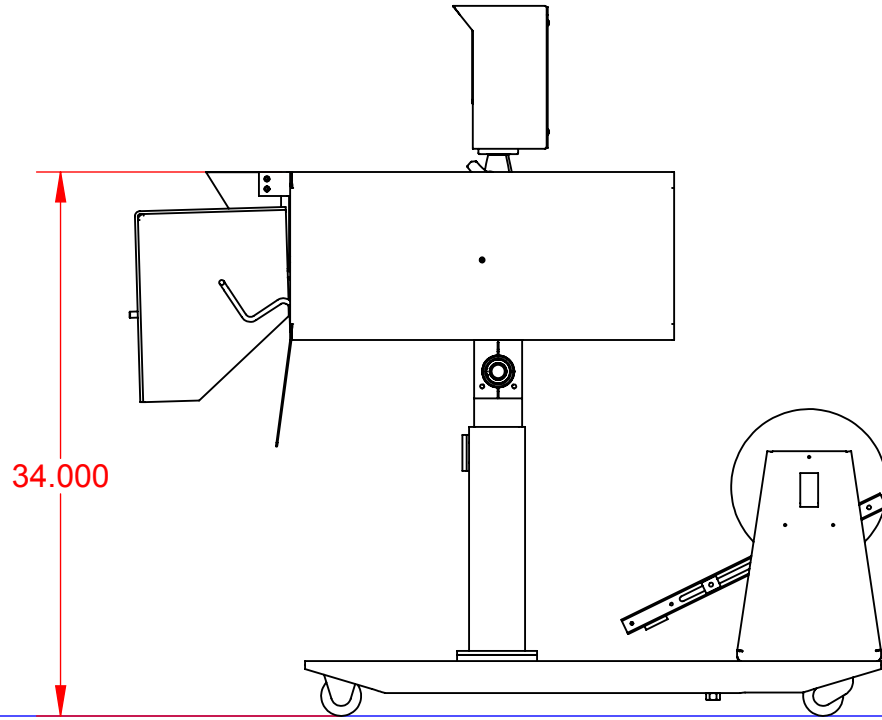
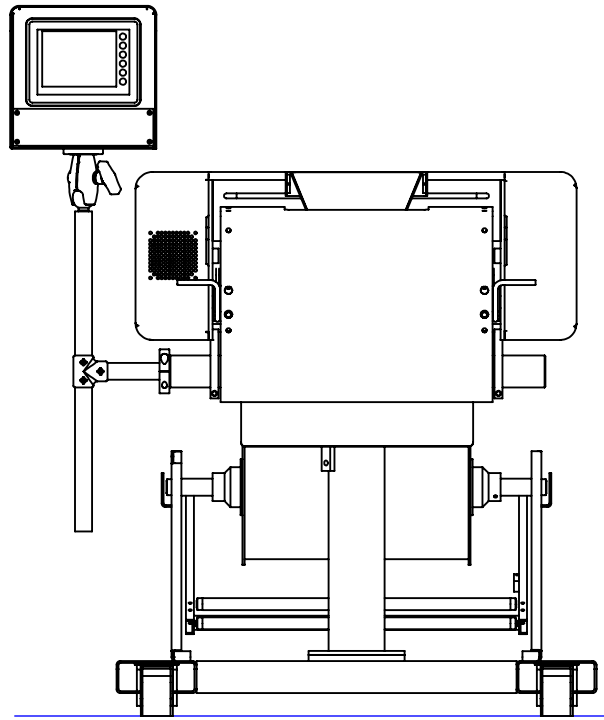
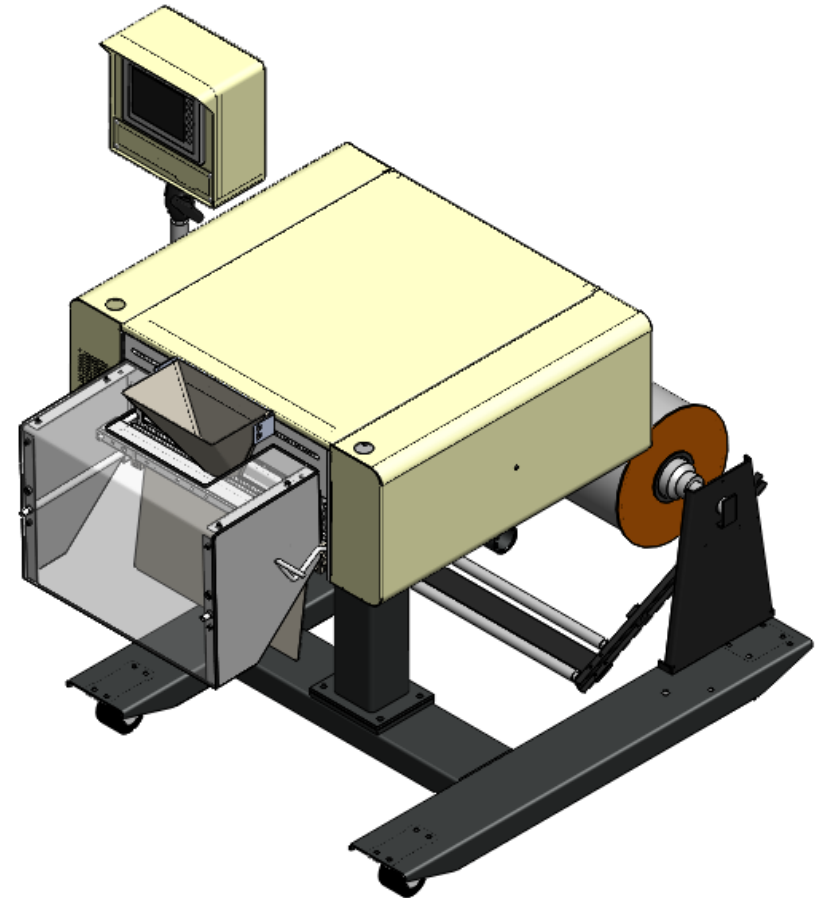
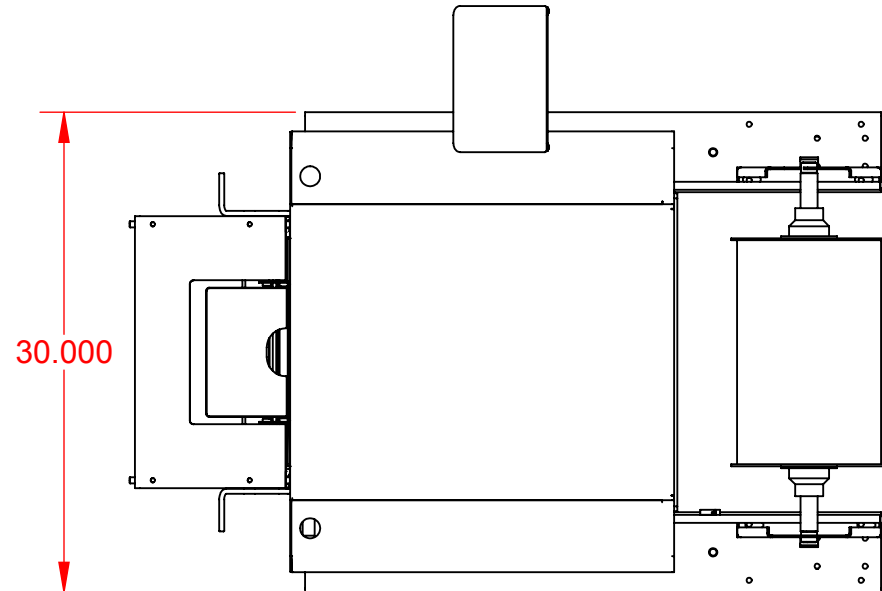



8 7 6 5 4 3 2 1

D
C
B
A

D
C
B
A



DIMENSIONS ARE IN INCHES TOLERANCES: FRACTIONAL: $\pm 1/64$ ANGULAR: MACH: $\pm 1^\circ$ TWO PLACE DECIMAL: ± 0.010 THREE PLACE DECIMAL: ± 0.003 UNLESS OTHERWISE SPECIFIED		PROPRIETARY AND CONFIDENTIAL THE INFORMATION CONTAINED IN THIS DRAWING IS THE SOLE PROPERTY OF <i>Advanced Poly-Packaging, Inc.</i> ANY REPRODUCTION IN PART OR AS A WHOLE WITHOUT THE WRITTEN PERMISSION OF <i>APPI</i> IS PROHIBITED.		 <small>1331 Emmitt Road • Akron, OH 44306 • 1-800-754-4403 • fax 330-785-4010 • www.advancedpoly.com</small>	
BOM REF:		DRAWN: C.N.L. 5/3/2010		DESCRIPTION: System Layout	
NUMBER REQ'D: 1		APPROVED:		SIZE B	DWG. NO. T-1000
MATERIAL:		PROJECT: STANDARD T-1000		REV	
FINISH:		P/N:		SCALE: 1:12	WEIGHT: 210.79# SHEET 1 OF 1

8 7 6 5 4 3 2 1