

APPROVED BY:

PRINTED NAME / SIGNATURE

DATE:

NOTE: ALL DIMENSIONS ARE APPROXIMATE AND WILL BE CONFIRMED UPON FINAL SYSTEM ASSEMBLY.

DIMENSIONS ARE IN INCHES
TOLERANCES:
 FRACTIONAL: $\pm 1/64$
 ANGULAR: MACH: $\pm 1^\circ$
 TWO PLACE DECIMAL: ± 0.010
 THREE PLACE DECIMAL: ± 0.003
 UNLESS OTHERWISE SPECIFIED

PROPRIETARY AND CONFIDENTIAL

THE INFORMATION CONTAINED IN THIS DRAWING IS THE SOLE PROPERTY OF **Advanced Poly-Packaging, Inc.** ANY REPRODUCTION IN PART OR AS A WHOLE WITHOUT THE WRITTEN PERMISSION OF **APPI** IS PROHIBITED.

Advanced Poly-Packaging, Inc.
 1331 Emmitt Road • Akron, OH 44306 • 1-800-754-4403 • fax 330-785-4010 • www.advancedpoly.com

DESCRIPTION:

System Layout

BOM REF:

DRAWN:

W.P.S. 6/29/2010

NUMBER REQ'D:

1

APPROVED:

MATERIAL:

PROJECT:

QUOTE #6821

FINISH:

P/N:

SIZE

A

DWG. NO.

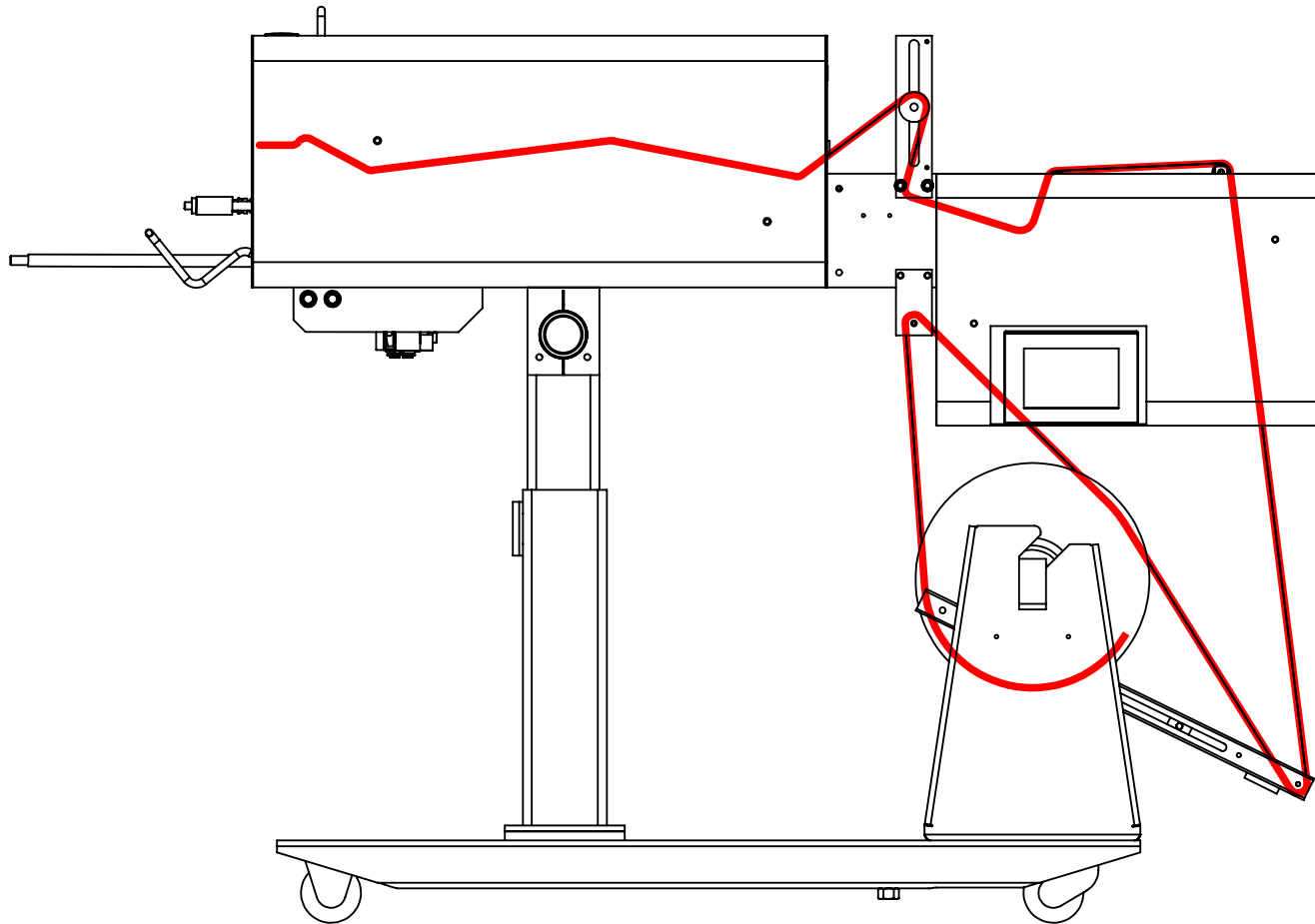
Q6821

REV

SCALE: 1:32

WEIGHT: 1375.22#

SHEET 1 OF 2



DIMENSIONS ARE IN INCHES
TOLERANCES:
 FRACTIONAL: $\pm 1/64$
 ANGULAR: MACH: $\pm 1^\circ$
 TWO PLACE DECIMAL: ± 0.010
 THREE PLACE DECIMAL: ± 0.003
 UNLESS OTHERWISE SPECIFIED

PROPRIETARY AND CONFIDENTIAL

THE INFORMATION CONTAINED IN THIS DRAWING IS THE SOLE PROPERTY OF *Advanced Poly-Packaging, Inc.* ANY REPRODUCTION IN PART OR AS A WHOLE WITHOUT THE WRITTEN PERMISSION OF *APPI* IS PROHIBITED.

 **Advanced Poly-Packaging, Inc.**
 1331 Emmitt Road • Akron, OH 44306 • 1-800-754-4403 • fax 330-785-4010 • www.advancedpoly.com

DESCRIPTION:

System Layout

BOM REF:

DRAWN:

W.P.S. 6/29/2010

NUMBER REQ'D:

1

APPROVED:

MATERIAL:

PROJECT:

QUOTE #6821

FINISH:

P/N:

SIZE

A

DWG. NO.

Q6821

REV

SCALE: 1:24

WEIGHT: 349.07#

SHEET 2 OF 2