

PROPRIETARY AND CONFIDENTIAL

THE INFORMATION CONTAINED IN THIS DRAWING IS THE SOLE PROPERTY OF **Advanced Poly-Packaging, Inc.**
 ANY REPRODUCTION IN PART OR AS A WHOLE WITHOUT THE WRITTEN PERMISSION OF **APPI** IS PROHIBITED.



1331 Emmitt Road • Akron, OH 44306 • 1-800-754-4403 • fax 330-785-4010 • www.advancedpoly.com

DESCRIPTION:
PROPOSED SYSTEM

DRAWN:
C.N.L. 6/1/2017

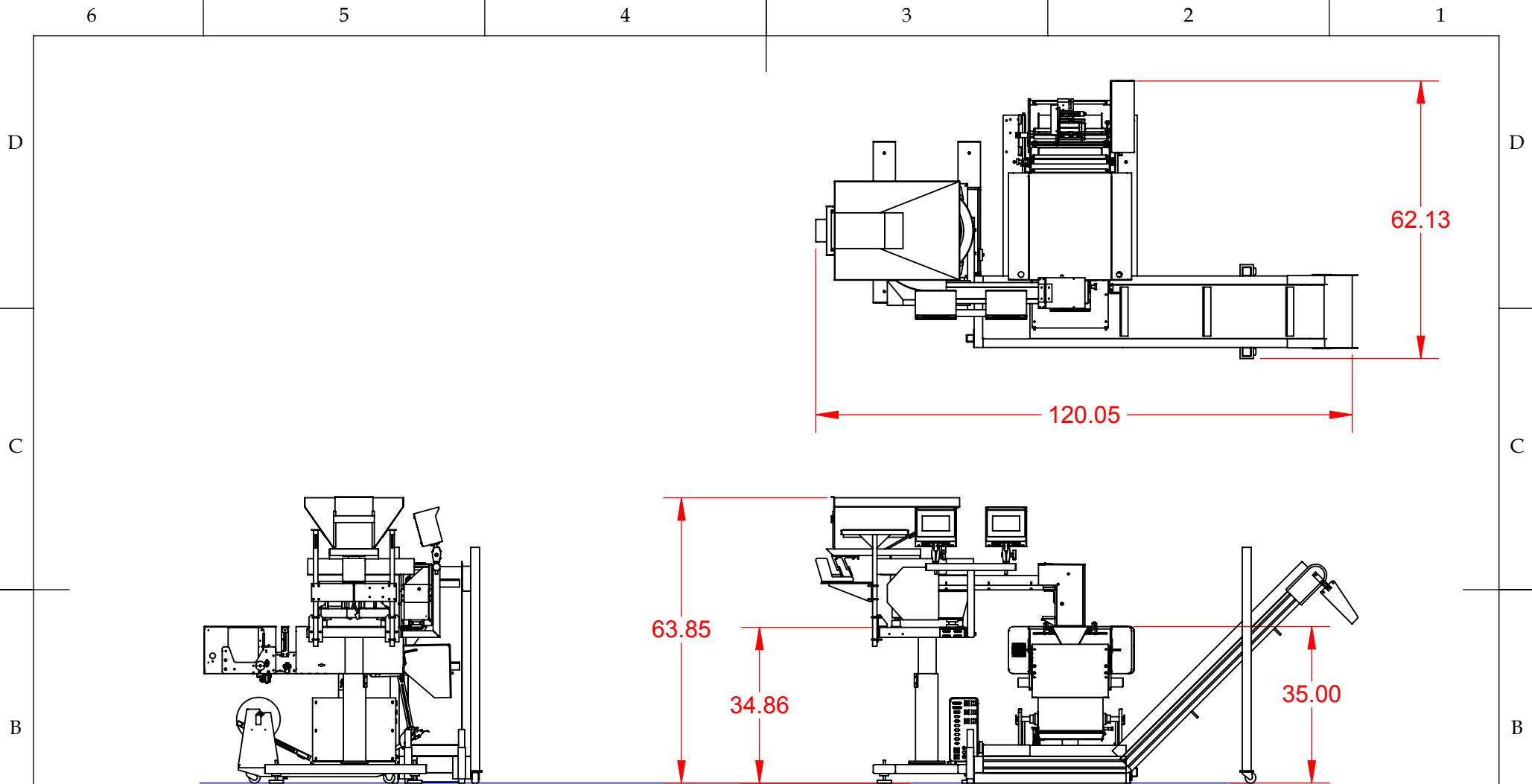
APPROVED:
Stuart Baker

PROJECT:
Q# 31667

P/N:

SIZE A	DWG. NO. 31667	REV
------------------	--------------------------	-----

SCALE: 1:16	WEIGHT: 762.71#	SHEET 1 OF 2
-------------	-----------------	--------------



PROPRIETARY AND CONFIDENTIAL			
THE INFORMATION CONTAINED IN THIS DRAWING IS THE SOLE PROPERTY OF Advanced Poly-Packaging, Inc. ANY REPRODUCTION IN PART OR AS A WHOLE WITHOUT THE WRITTEN PERMISSION OF APPI IS PROHIBITED.		1331 Emmitt Road • Akron, OH 44306 • 1-800-754-4403 • fax 330-785-4010 • www.advancedpoly.com	
DRAWN: C.N.L. 6/1/2017		DESCRIPTION: PROPOSED SYSTEM	
APPROVED: Stuart Baker		SIZE A	DWG. NO. 31667
PROJECT: Q# 31667		REV	
P/N:		SCALE: 1:32	WEIGHT: 762.71# SHEET 2 OF 2