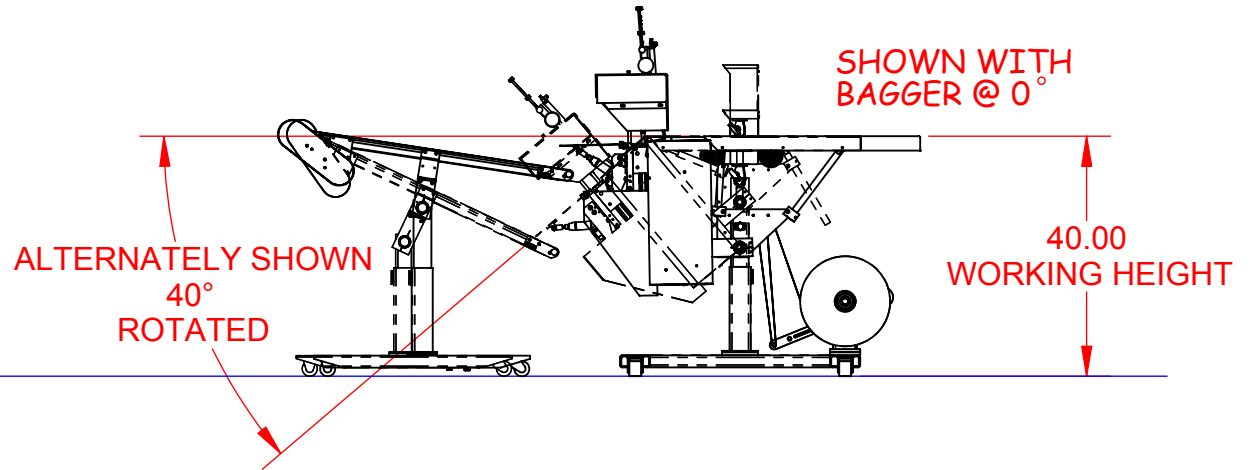
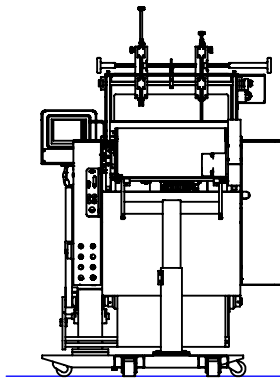
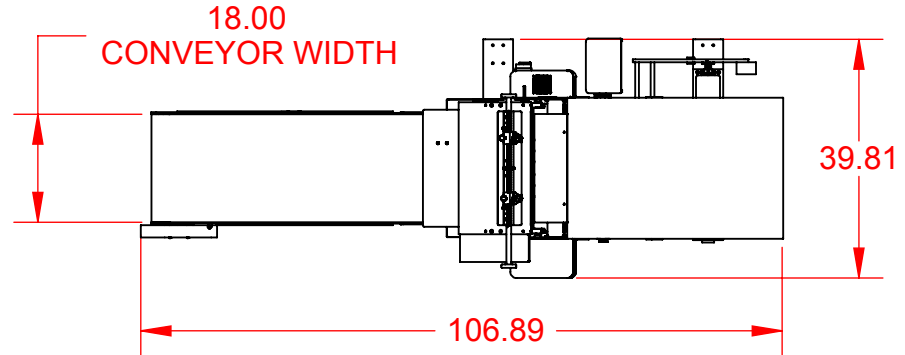


SHOWN WITH BAGGER @ 40°



APPROVED BY:

PRINTED NAME / SIGNATURE

DATE:

NOTE: ALL DIMENSIONS ARE APPROXIMATE AND WILL BE CONFIRMED UPON FINAL SYSTEM ASSEMBLY.

DIMENSIONS ARE IN INCHES
TOLERANCES:
 FRACTIONAL: ±1/64
 ANGULAR: MACH: ±1°
 TWO PLACE DECIMAL: ±0.010
 THREE PLACE DECIMAL: ±0.003
 UNLESS OTHERWISE SPECIFIED

PROPRIETARY AND CONFIDENTIAL

THE INFORMATION CONTAINED IN THIS DRAWING IS THE SOLE PROPERTY OF **Advanced Poly-Packaging, Inc.** ANY REPRODUCTION IN PART OR AS A WHOLE WITHOUT THE WRITTEN PERMISSION OF **APPI** IS PROHIBITED.

Advanced Poly-Packaging, Inc.

1331 Emmitt Road • Akron, OH 44306 • 1-800-754-4403 • fax 330-785-4010 • www.advancedpoly.com

DESCRIPTION:

System Layout

BOM REF:

DRAWN:

C.N.L. 5/13/2010

NUMBER REQ'D:

1

APPROVED:

Stuart Baker

MATERIAL:

PROJECT:

WO# 137746

FINISH:

P/N:

SIZE

A

DWG. NO.

137746

REV

SCALE: 1:32

WEIGHT: 535.36#

SHEET 1 OF 1