

6

5

4

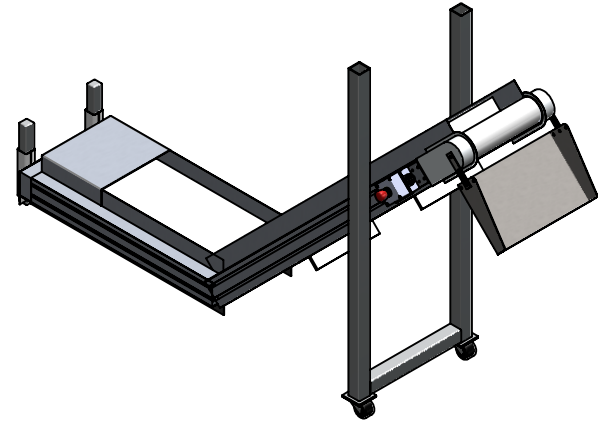
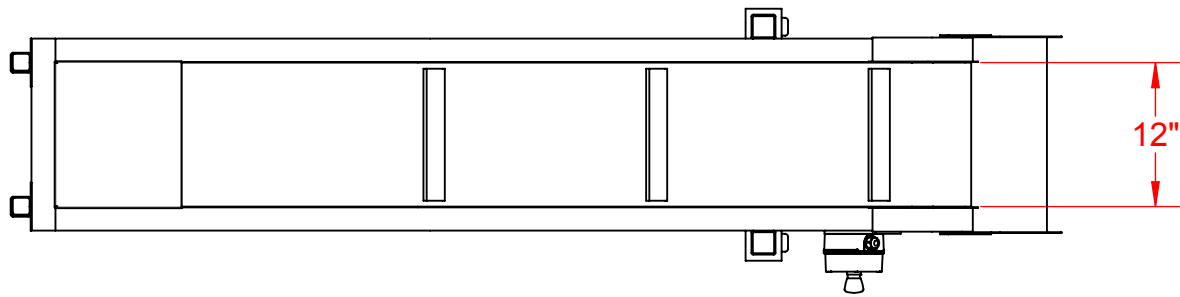
3

2

1

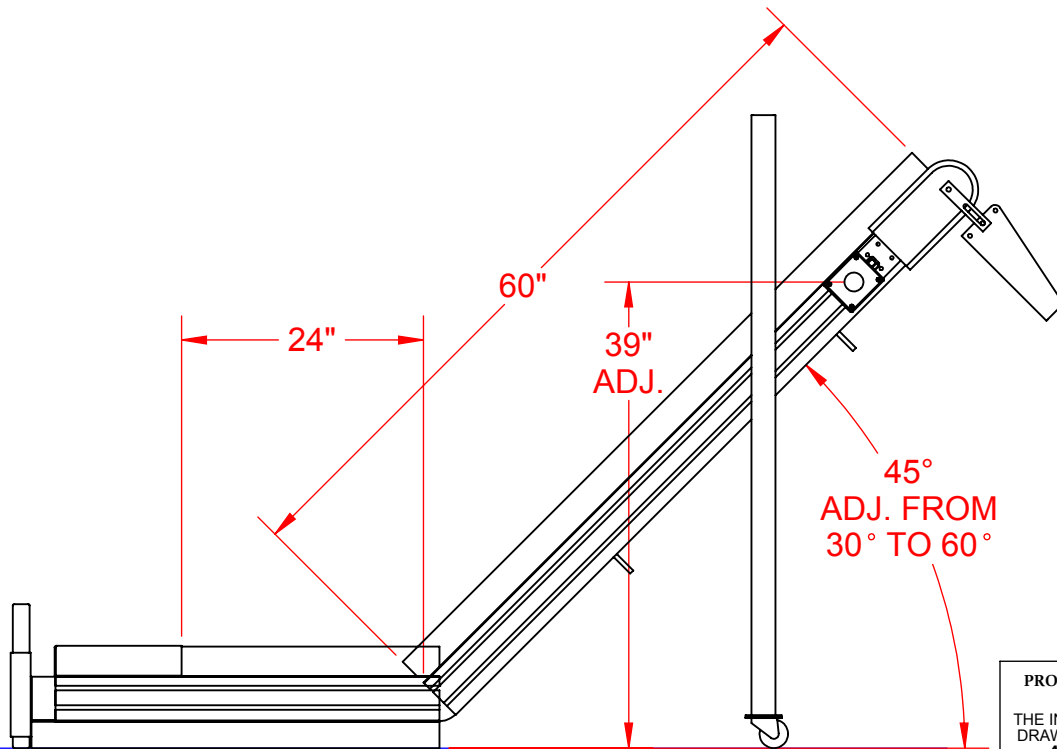
D

D



C

C



B

B

A

A

<p>PROPRIETARY AND CONFIDENTIAL</p> <p>THE INFORMATION CONTAINED IN THIS DRAWING IS THE SOLE PROPERTY OF Advanced Poly-Packaging, Inc. ANY REPRODUCTION IN PART OR AS A WHOLE WITHOUT THE WRITTEN PERMISSION OF APPI IS PROHIBITED.</p>		<p>1331 Emmitt Road • Akron, OH 44306 • 1-800-754-4403 • fax 330-785-4010 • www.advancedpoly.com</p>	
<p>DESCRIPTION:</p> <p>UF-2000 W/ E-STOP</p>			
<p>DRAWN BY:</p> <p>C.N.L.</p>	<p>DATE:</p> <p>5/16/2018</p>	<p>SIZE:</p> <p>A</p>	<p>DWG. NO:</p> <p>TO-UF2-ES10</p>
<p>PART No:</p>	<p>PROJECT:</p> <p>TO-UF2-ES10</p>	<p>SCALE:</p> <p>1:16</p>	<p>WEIGHT:</p> <p>243.85#</p>
		<p>REV:</p> <p>A</p>	<p>SHEET:</p> <p>1 - 1</p>

6

5

4

3

2

1