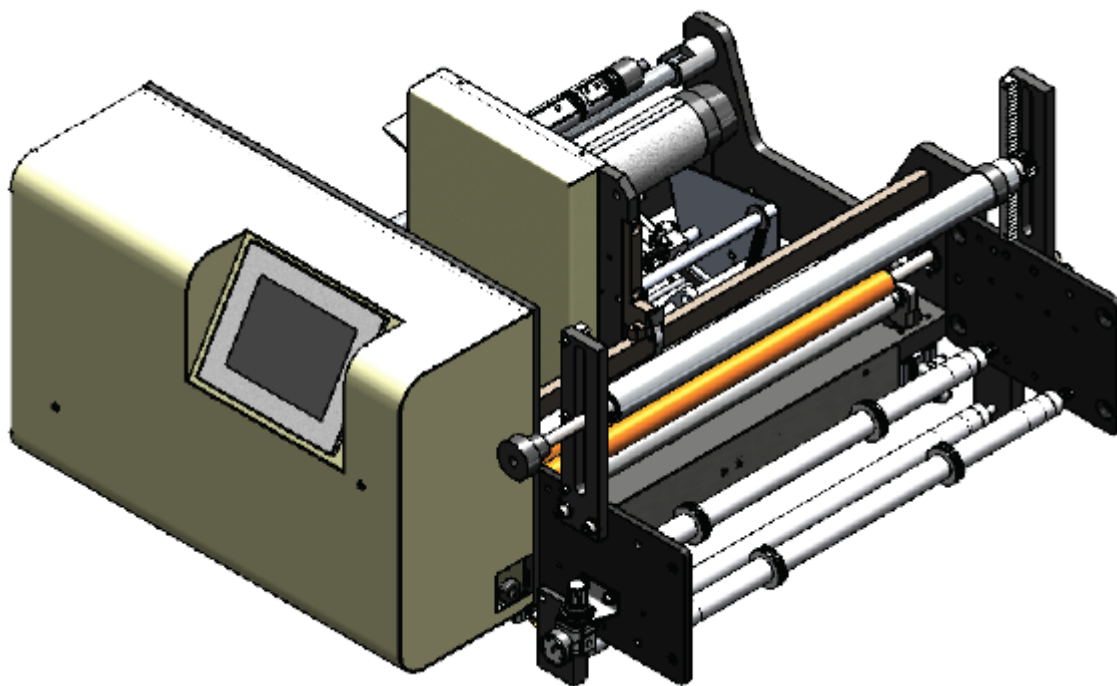


Ti-1000Z Inline Thermal Printer

Updates to Operation Manual, Version 1B
Addendum for Serial Numbers 209080001 to 214020091



 **Advanced
Poly-Packaging, Inc.**

1331 Emmitt Road • Akron, OH 44306 • 1-800-754-4403 • fax 330-785-4010 • www.advancedpoly.com

Chapter 5, Parts

Introduction.....	2
Ti-1000Z Printer Main Components.....	4
Electronics Assembly.....	5
Electronics Assembly Drawing.....	6
Ti-1000Z Printer Frame	7
Printer Frame Drawing	8
Ti-1000Z Print Head Assembly	9
Print Head Assembly Drawing	10
Ti-1000Z Steel Roll Assembly	11
Ti-1000Z Printer Nip Roll Assembly.....	12
Printer Register	13
Printer Register Drawing	14

Introduction

We thank you for selecting Advanced Poly Packaging Inc. (APPI) as your bagging equipment solutions provider. This manual addendum contains updated part numbers for the Ti-1000Z Inline Printers with serial numbers between 209080001 and 214020091, inclusive. ***Note: printers in this serial number range can be either an XI3 or XI4, so please verify the configuration of your equipment before ordering.***

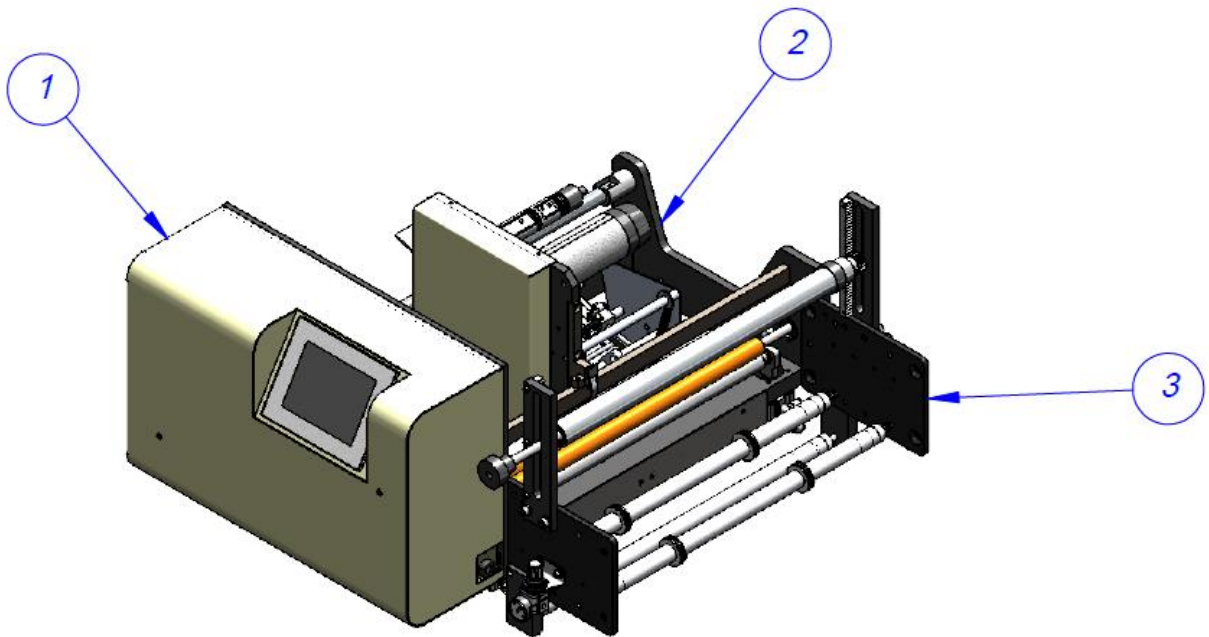
Please refer to this addendum for all service parts orders.

This page intentionally left blank.

Ti-1000Z Printer Main Components

TA-T2Z-1000

ITEM NO	QTY	PART NO.	DESCRIPTION
1	1	TP-T2Z1000	ELECTRONICS ASSEMBLY
2	1	TA-T2Z2000	Ti-1000 PRINTER FRAME
3	1	TA-T2Z4000	PRINTER REGISTER

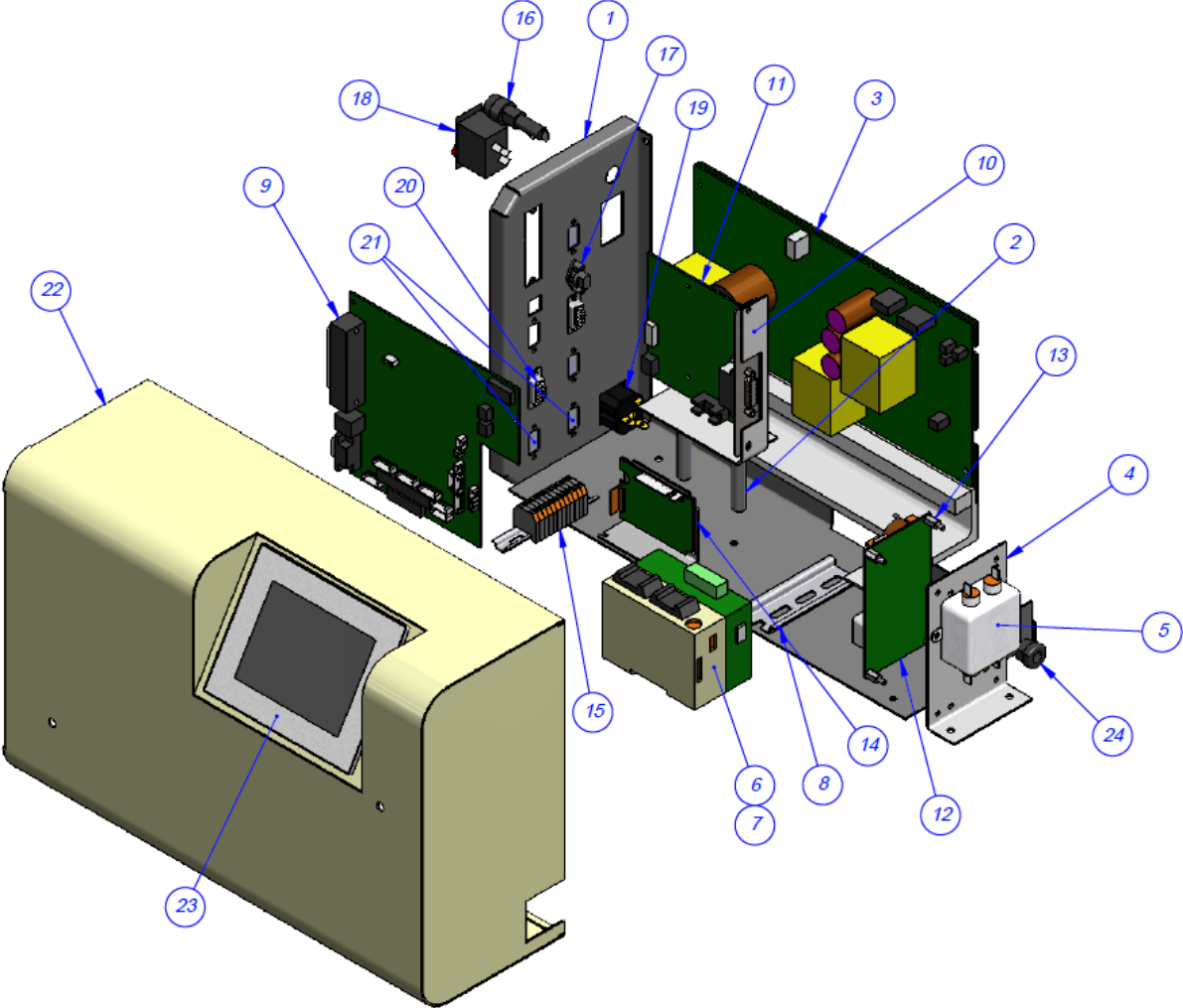


Electronics Assembly

ITEM NO	QTY	PART NO.	DESCRIPTION
1	1	TP-T2Z1005	BASE/BACK PANEL
2	3	TP-T2Z1008	STAND-OFF - 2.5"
3	1	VP-Z-33050M	POWER SUPPLY BOARD
4	1	TP-T2Z1006	MOUNTING BRACKET
5	1	TP-205108	EMI FILTER
6	1	TP-220511	PLC, FPO-E32T-A EXPANSION I/O
7	1	TP-220515	PLC ANALOG
8	1	TP-218020	DIN-3 RAIL
9	1	VP-Z-41008M	XI3 MAIN LOGIC BD. MAINT KIT*
10	1	TP-T2Z1004	MOUNTING BRACKET
11	1	VP-Z-57389M	APPLICATOR INTERFACE ASSEMBLY 24V
12	1	TP-213361	24V POWER SUPPLY 25W
13	4	TP-214278	STANDOFF, HEX 6-32 X 3/8 BRASS M/F
14	1	TP-501156	DC MOTOR DRIVE
15	1	TP-218021 & TP-208141	TERMINAL BLOCK ASSEMBLY
16	1	TP-207216	FUSE HOLDER
17	1	TP-212160	5-POS MINI DIP
18	1	TP-215384	POWER SWITCH
19	1	TP-212410	RECEPTACLE
20	2	TP-212247	9-PIN D-SUB FEMALE
21	1	TP-T2Z1007	BACK PANEL MYLAR OVERLAY
22	1	TP-T2Z1003	PRINTER SIDE COVER
23	1	TP-220358	TOUCH SCREEN
24	1	TP-112240	STRAIN RELIEF

****Use P/N VP-Z-P1053360-016 for XI4 Main Logic Board***

Electronics Assembly Drawing

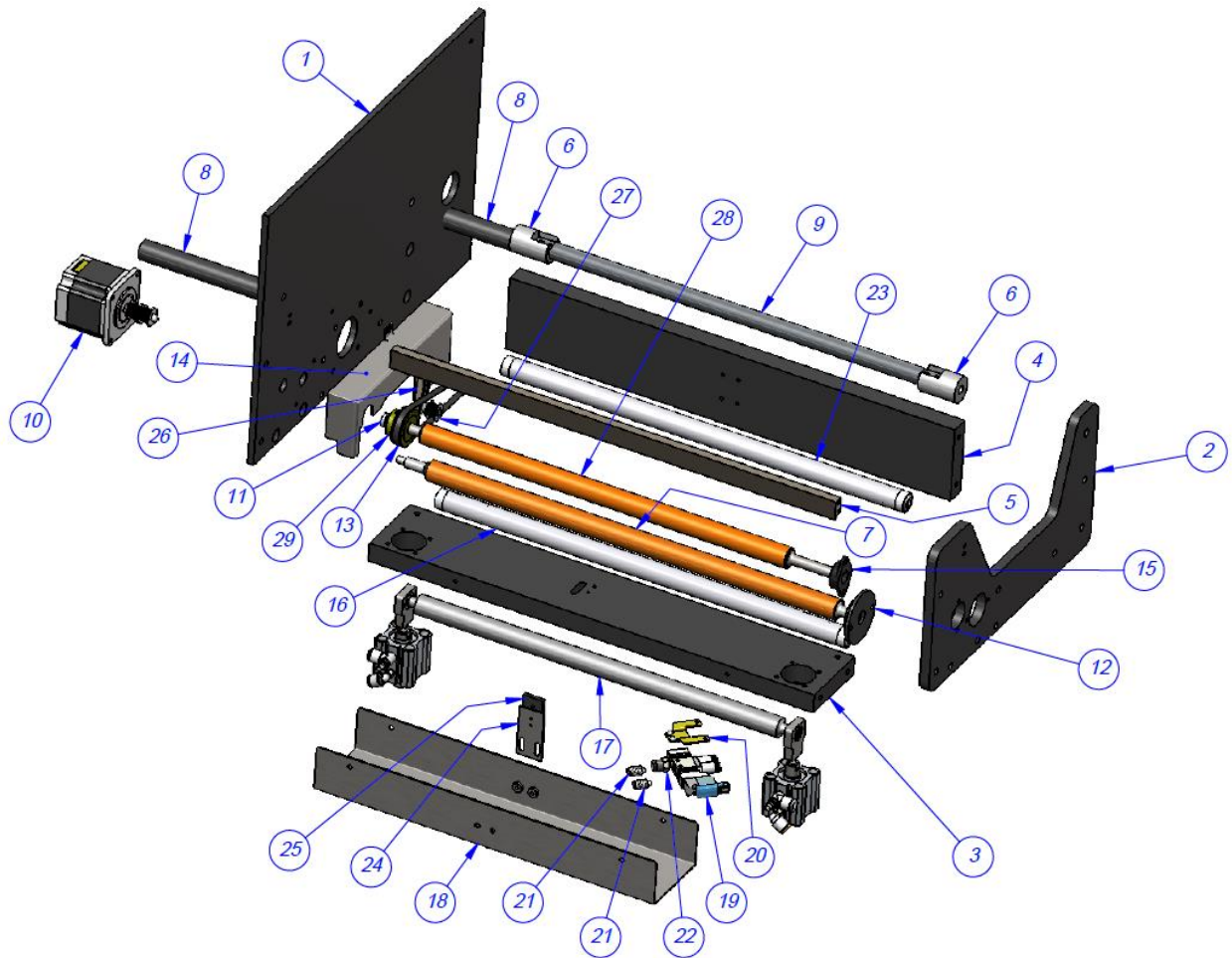


USE TP-T2Z1003-1 FOR PRINTER SIDE COVER WITH TOUCH SCREEN
AND TP-T2Z1003 FOR PRINTER SIDE COVER WITHOUT TOUCH SCREEN

Ti-1000Z Printer Frame

ITEM NO	QTY.	PART NO.	DESCRIPTION
1	1	TP-T2Z2002-2	MOUNTING SIDE PLATE - LEFT SIDE
2	1	TP-T2Z2002-1	MOUNTING SIDE PLATE - RIGHT SIDE
3	1	TP-T2Z2016	NIP ROLL SUPPORT BRACE
4	1	TP-T2Z2007	SUPPORT BRACE
5	1	TP-T2Z2005	LATCH BAR
6	2	TP-T14M1035	GUIDE ROD HOLDER
7	1	TP-T2Z2006	PRINT HEAD ROLLER
8	2	TP-T2Z2012	COVER PANEL STANDOFF
9	1	TP-T2Z2004	PIVOT SHAFT
10	1	VP-Z-46198M	MOTOR
11	4	TP-504097	PRECISION FLANGED BALL BEARING
12	1	TP-T2Z2011	BEARING PLATE
13	1	TP-503188	BELT
14	1	TP-T2Z2013	BELT COVER
15	1	TP-T2Z2017	NIP BEARING PLATE
16	1	TP-T1MC00052	GUIDE ROLLER (PRINT REG)
17	1	TA-T2Z2021	PRINTER NIP ROLL ASSEMBLY
18	1	TP-T2Z2022	TUBING COVER
19	1	TP-402255	VALVE
20	1	TP-402175	BRACKET
21	2	TP-404263	MUFFLER
22	1	TP-401265	1/4" FITTING
23	1	TP-T1MC00052	STANDARD ROLLER
24	1	TP- T2AC10-012	BAG-OUT SENSOR MOUNT
25	1	TP-216155	SENSOR
26	1	TP-T15M8007	BELT TENSIONER
27	1	TP- T2Z2024	NIP TENSIONER PULLY
28	1	TP-T2Z2027	DRIVEN NIP ROLL
29	1	TP-T2Z2019	DRIVEN NIP ROLL PULLEY

Printer Frame Drawing

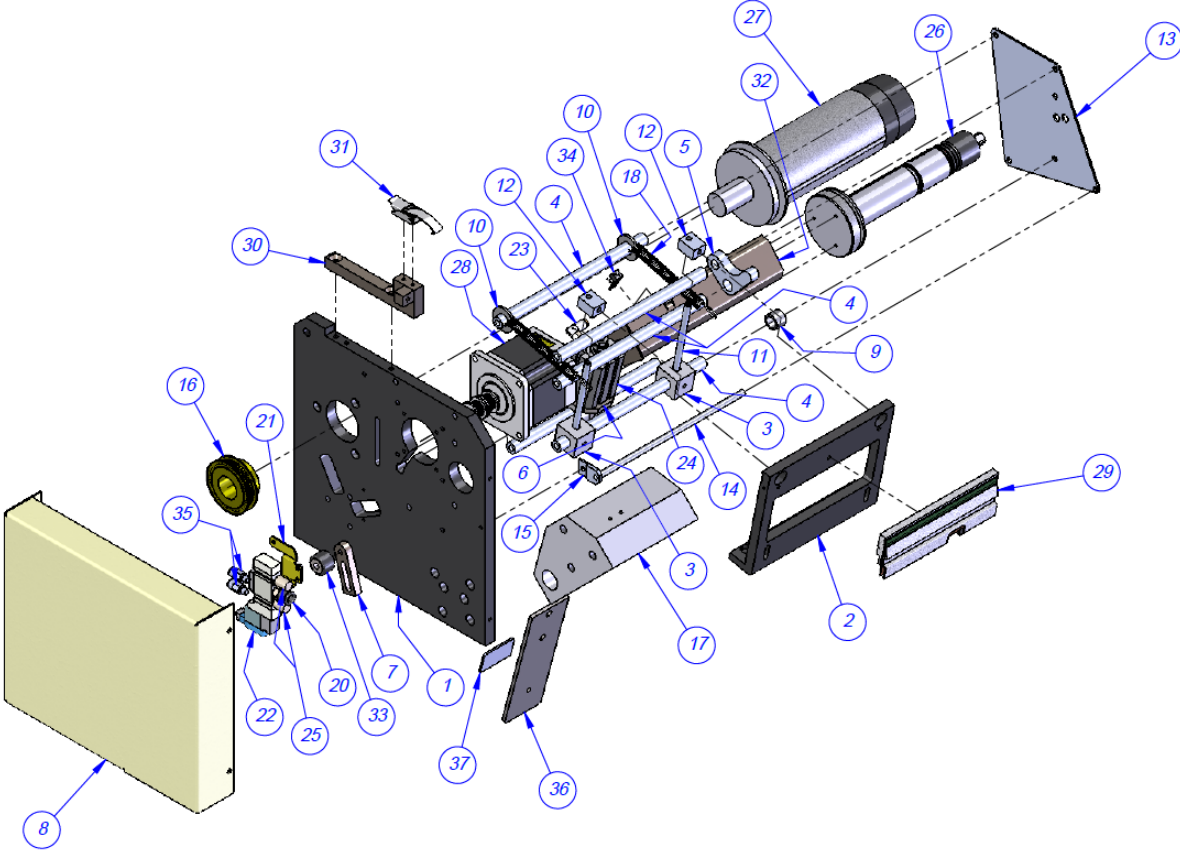


Ti-1000Z Print Head Assembly

ITEM NO	QTY.	PART NO.	DESCRIPTION
1	1	TP-T15M8001	PRINTER SIDE PLATE
2	1	TP-T15M8002	MOUNTING PLATE PRINT HEAD
3	2	TP-T15M8003	ADJUSTMENT BLOCK
4	5	TP-T15M8004	SUPPORT ROD
5	1	TP-T15M8005	CAM-PRINT HEAD
6	1	TP-T15M8006	CYLINDER MOUNT
7	1	TP-T15M8007	BELT TENSIONER
8	1	TP-T15M8008	BELT GUARD
9	1	TP-T15M8010	LOCATING SPACER
10	2	TP-T15M8012	SPRING MOUNT
11	2	TP-T15M8013	ADJUSTMENT ROD
12	2	TP-T15M8014	ADJUSTMENT ROD BLOCK
13	1	TP-T15M8030	END PLATE
14	1	TP-T15M8031	ROLLER SHAFT
15	1	TP-T15M8032	SHAFT MOUNT
16	1	TP-T15M8042	RIBBON TAKE-UP PULLEY
17	1	TP-T15M0036	PIVOT BLOCK
18	2	TP-108127	SPRING
19	2	TP-111107	COLLAR, CLAMP
20	1	TP-401265	1/4" FITTING
21	1	TP-402175	BRACKET
22	1	TP-402260	VALVE
23	2	TP-401294-1	MALE CONNECTOR
24	1	TP-403140	CYLINDER
25	2	TP-404263	MUFFLER
26	1	VP-ZEB-41151M	SUPPLY SPINDLE
27	1	VP-Z-41150M	TAKE-UP SPINDLE
28	1	VP-Z-46198M	203 DPI ZEBRA MOTOR*
29	1	VP-Z-41000M	XI3 PRINT HEAD, 200 DPI*
30	1	TP-T2Z2010	STOP BAR
31	1	TP-115111	BLADE DRAW LATCH
32	1	TP-T15M-8011	SENSOR BRACKET
33	1	TP-504138	CAM FOLLOWER
34	1	VP-Z-46665M	RIBBON SENSOR
35	2	TP-401294	1/8" FITTING
36	1	TP-T2Z2014	PIVOT BLOCK BRACKET
37	1	TP-T2Z2015	BUMPER

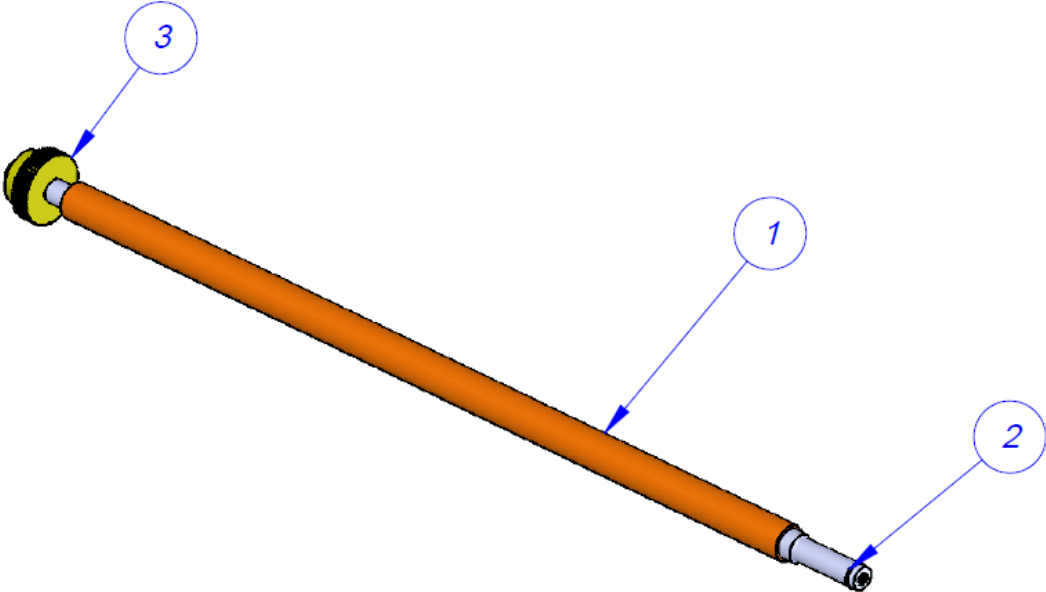
**Use P/N VP-Z-P1004232 for XI4 300 DPI Print Head & P/N VP-Z-G46199M for XI4 300 DPI Zebra Motor*

Print Head Assembly Drawing



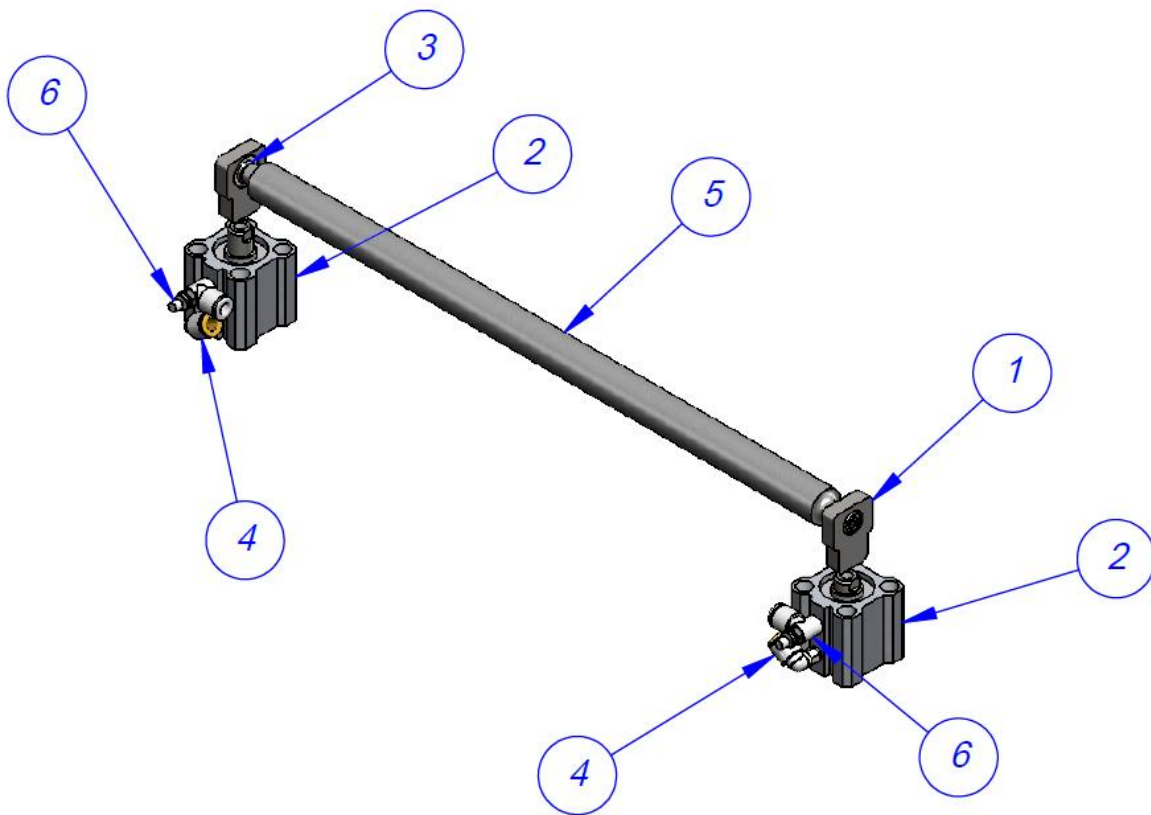
Ti-1000Z Steel Roll Assembly

ITEM NO	QTY.	PART NO.	DESCRIPTION
1	1	TP-T2Z2027	DRIVEN NIP ROLL
2	2	TP-504097	PRECISION FLANGED BALL BEARING
3	1	TP-T2Z2019	DRIVEN NIP ROLL PULLEY



Ti-1000Z Printer Nip Roll Assembly

ITEM NO	QTY.	PART NO.	DESCRIPTION
1	2	TP-T2Z2020	BEARING MOUNT
2	2	TP-403236	AIR CYLINDER
3	2	TP-504190	BEARING
4	2	TP-401277	ELBOW
5	1	TP-T2Z2021	NIP ROLL
6	2	TP-402186	FLOW CONTROL



Printer Register

ITEM NO	QTY.	PART NO.	DESCRIPTION
1	2	TP-T2Z4001	PRINTER MOUNTING BRACKET
2	2	TP-T2Z4002	RACK MOUNT
3	2	TP-406259	MINI-REG. BRACKET, GAUGE
4	2	TP-T2Z4003	SHORT GEAR RACK
5	1	TP-T2Z4005	GEAR
6	1	TP-T2Z4004	GEAR
7	1	TP-T2Z4006	ROLLER SHAFT
8	2	TP-109149	HANDLE, KNURLED STEEL
9	1	TP-102126	WASHER, 3/8 EXT. TOOTH LW
10	1	TP-101123	NUT, 3/8-16 HEX JAM NUT
11	1	TP-102144	WASHER, 3/8 FLAT
12	2	TP-107108	BEARING
13	1	TP-T2Z4007	ROLLER TUBE
14	2	TP-T1MC00052	GUIDE ROLLER
15	2	TP-T2Z4008	ROLLER IDLER BRACKET
16	1	TP-T1MC00052	GUIDE ROLLER (PRINT REG)
17	4	TP-106106	SLOTTED SPRING PIN
18	2	TP-T2Z4010	BUSHING CAGE
19	4	TP-108099	COMPRESSION SPRING
20	4	TP-111010	SPRING CLOSURE COLLAR
21	1	TP-106109	1/8" X 3/4" SLOTTED SPRING PIN

Printer Register Drawing

