



# How To

Service Documents from APPI

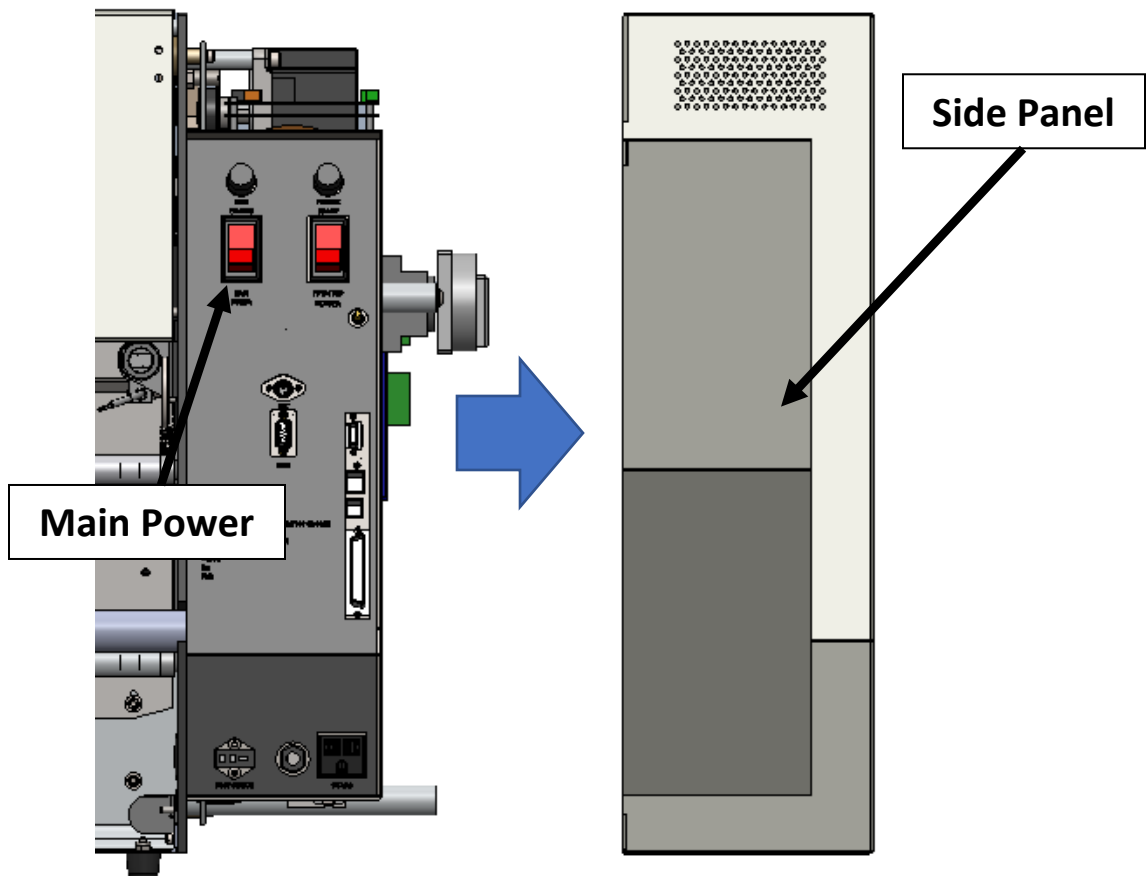
**Document: #HT000121**

**Document Title: Replace High-Voltage Transformer**

**Product(s): T-375**

**Procedure:**

Turn main Power OFF, disconnect power, and remove Left-Side Panel.

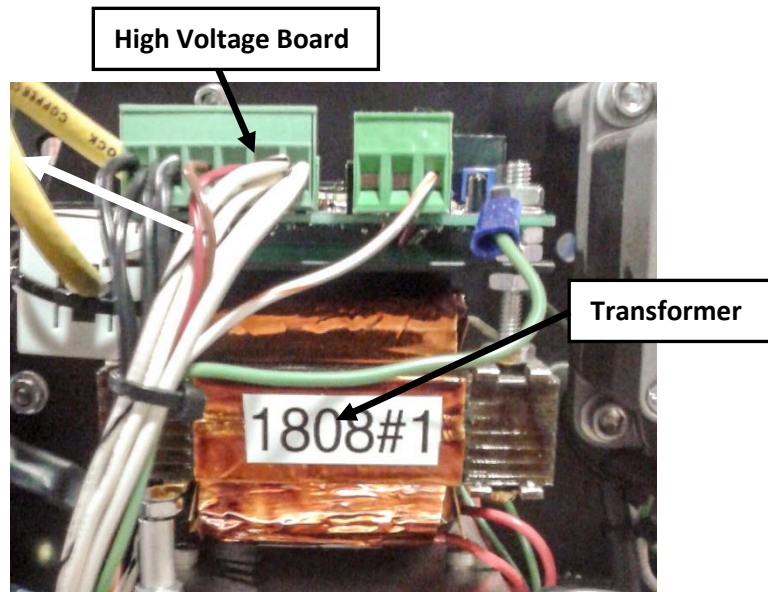




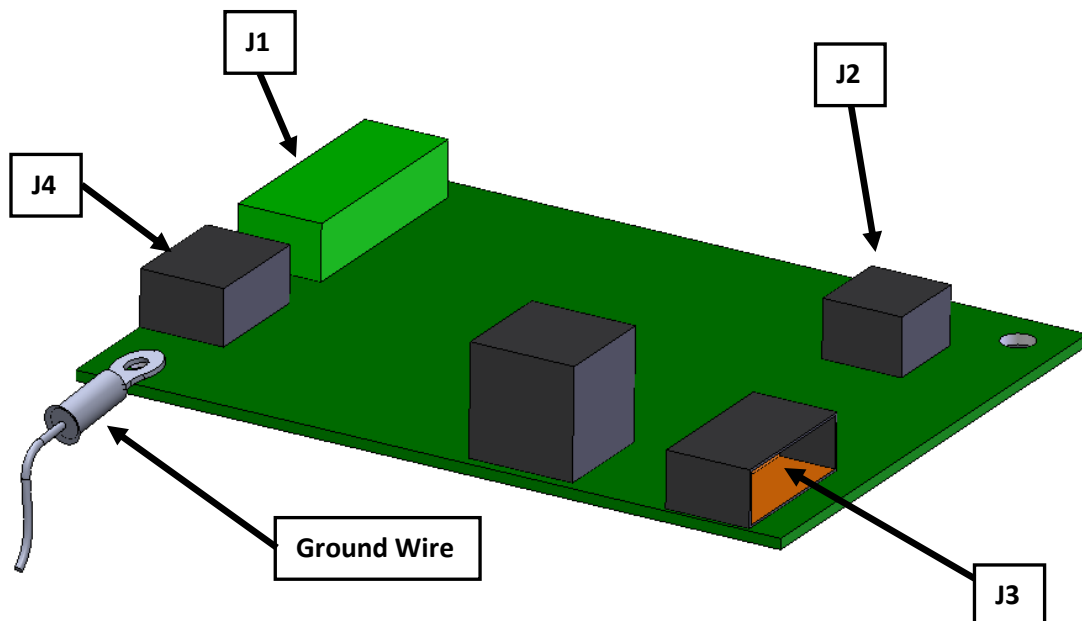
# How To

## Service Documents from APPI

Locate Transformer and High-Voltage Board.



Unplug all four cables from High-Voltage Board (J1 through J4), & disconnect Ground Wire:

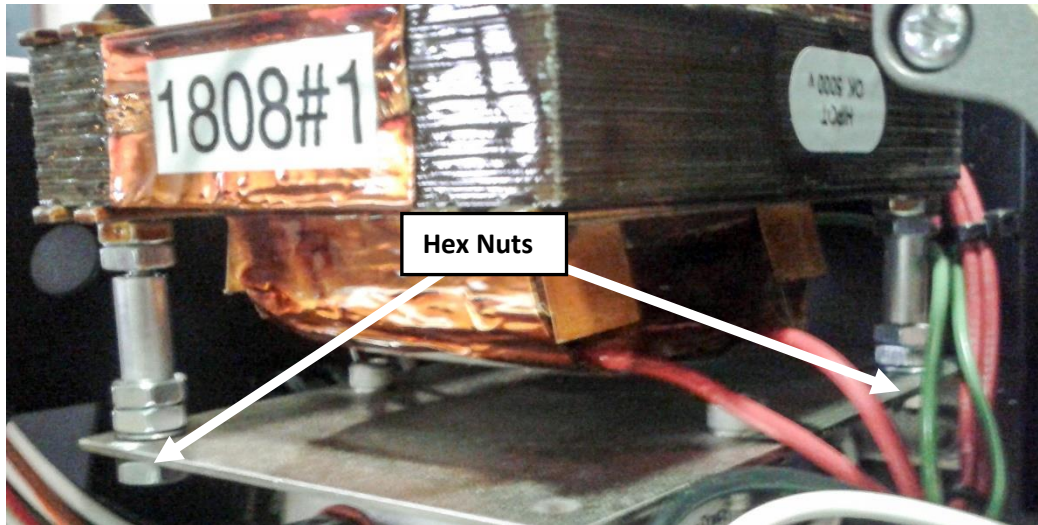




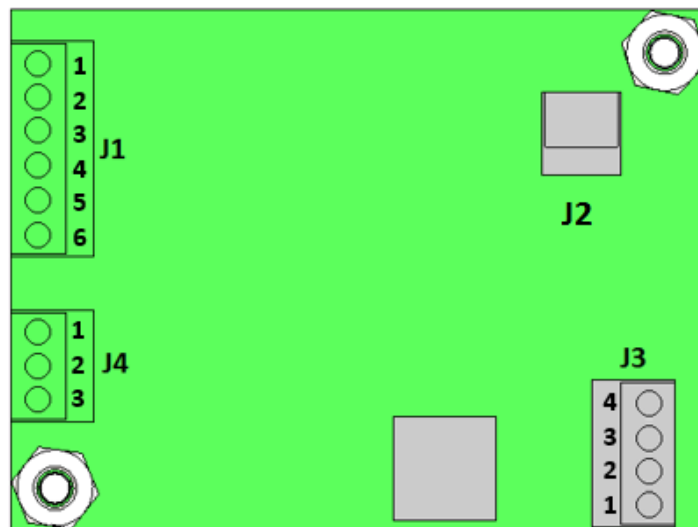
# How To

## Service Documents from APPI

Loosen two (2) Hex Nuts and remove Transformer from Mounting Bracket.



### High Voltage Board Connectors and Pin Numbering

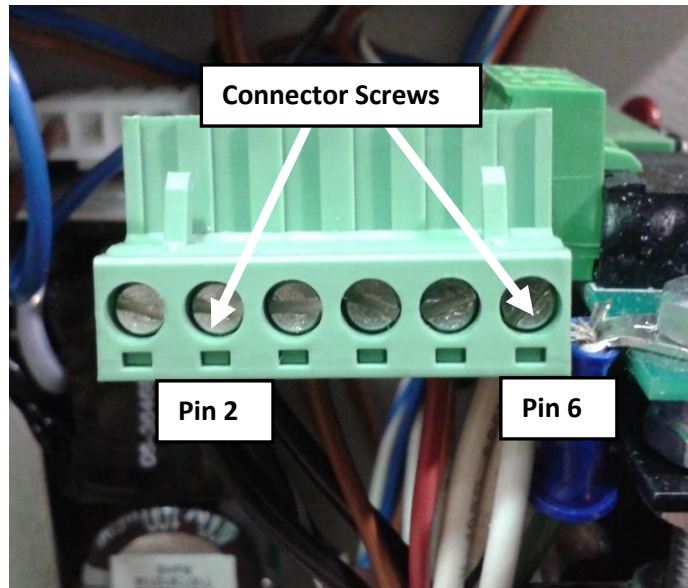




# How To

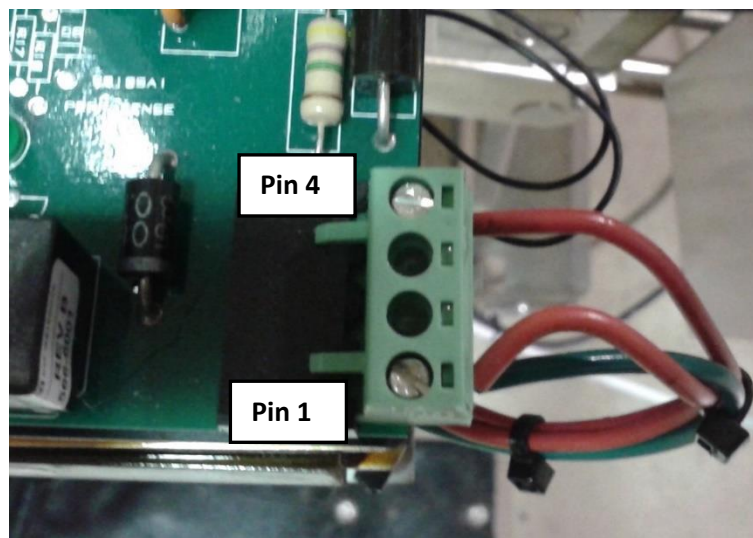
## Service Documents from APPI

Loosen Connector Screws (Pins 2 & 6) to remove the following wires from J1 Connector:



- Pin 2 – Black Wires (2)
- Pin 6 – White Wire w/Black Stripe (2)

Loosen Connector Screws (Pins 1 & 4) and remove the following wires from J3:



- Pin 1 – Red Wire & Green Wire
- Pin 4 – Red Wire



# How To

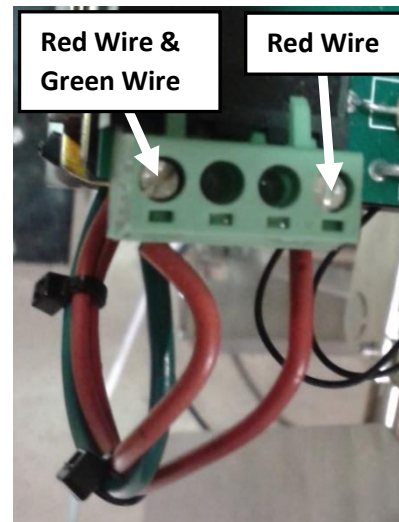
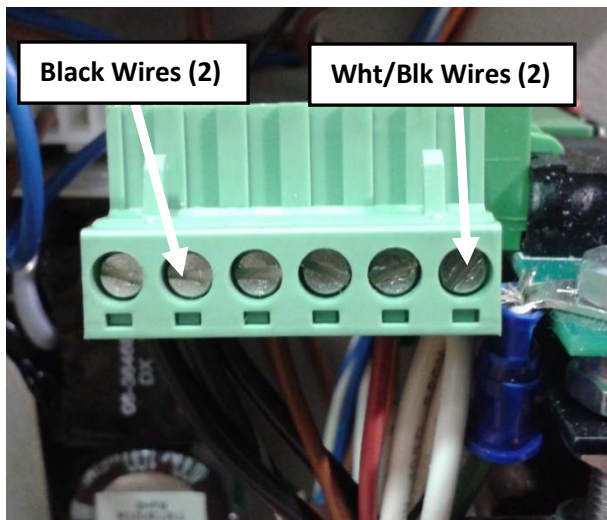
## Service Documents from APPI

Install replacement Transformer (TP-211386).

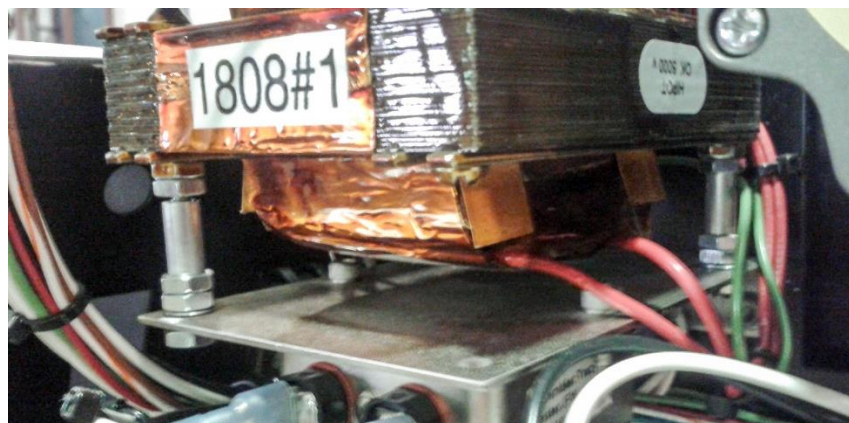
Re-assemble Transformer and High-Voltage Board.

Insert wires from Transformer into connectors as described below and tighten screws.

- Insert Black Wires (2) into J1, Pin 2.
- Insert White Wires w/Black Stripe (2) into J1, Pin 6.
- Insert Red Wire and Green Wire into J3, Pin 1.
- Insert Red Wire into J3, Pin 4.



Plug in cables, and dress Transformer wires as shown.

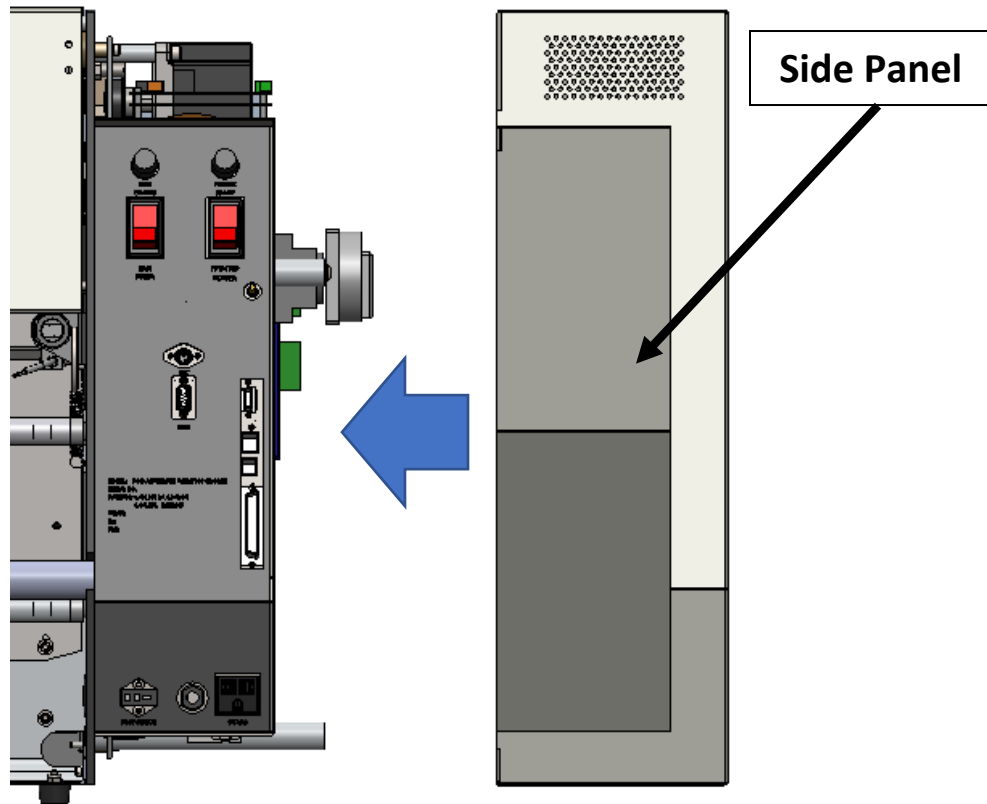




# How To

## Service Documents from APPI

Replace Side Panel.

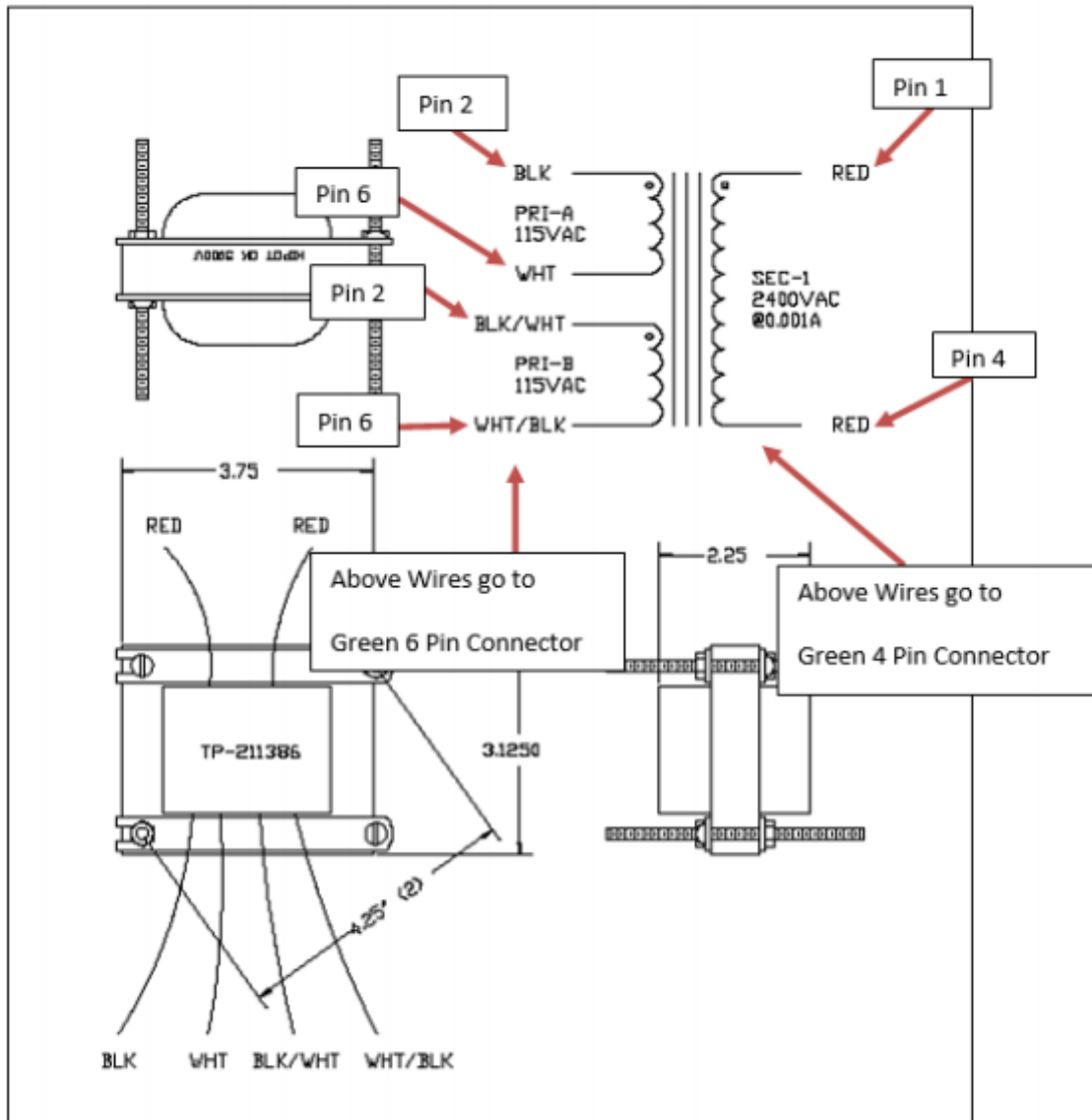




# How To

## Service Documents from APPI

Schematic 110VAC





# How To

## Service Documents from APPI

Schematic 220VAC

