

How To

Service Documents from APPI

Document: #HT000116

Document Title: Installing the BO-20 Bag Open Sensor

Product(s): T-375 Printer

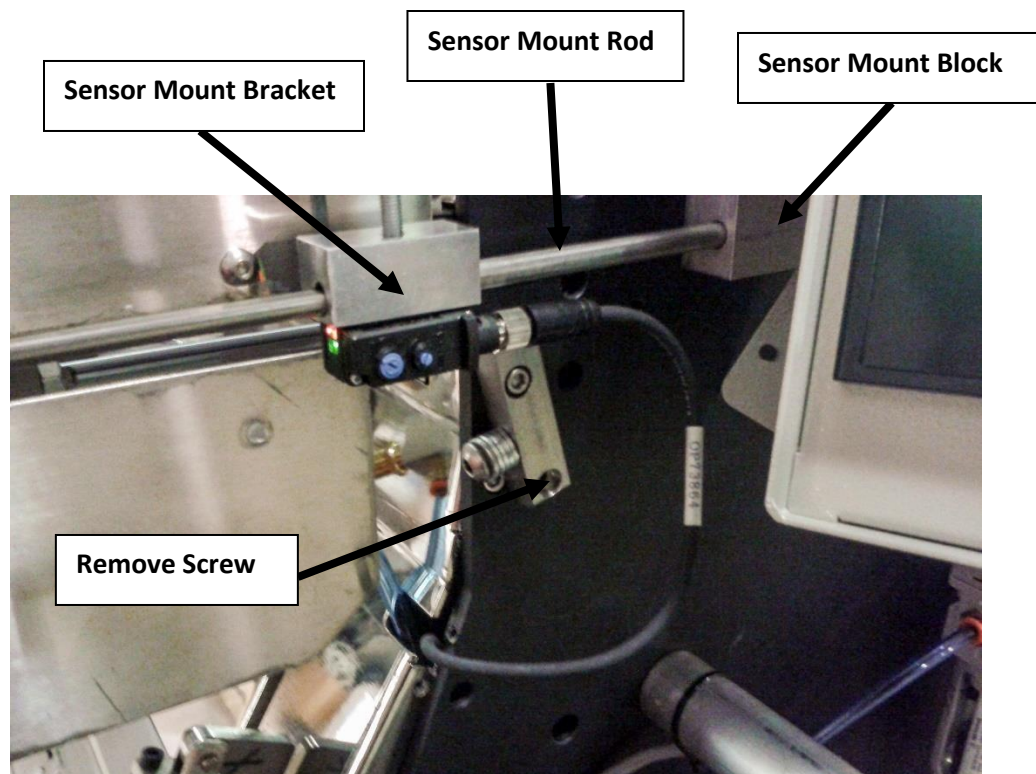
Prerequisite: PLC must be programmed to support BO-20 operation.

Procedure:

Turn **Main Power 'OFF'**. Open Front and Side Panels.

Mount Bag Open Sensor as shown using supplied hardware:

- Sensor Mount Block
- Sensor Mount Rod
- Sensor Mount Bracket

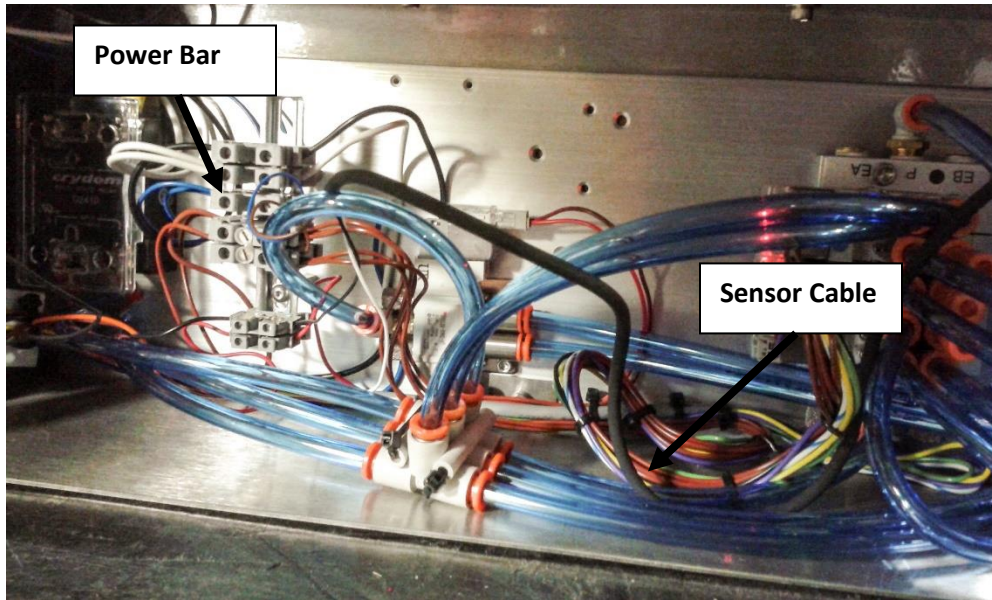


It will be necessary to remove the bottom screw in the Bag Blow-Off Block, and pivot the Block to allow room for the Sensor to be installed.

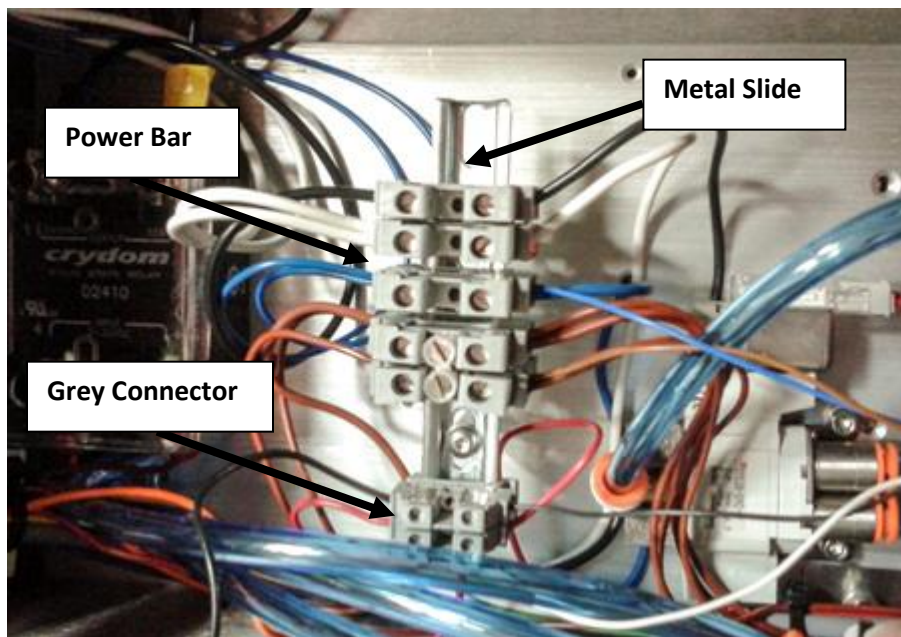
How To

Service Documents from APPI

Open the Front Cover. Screw the Sensor Cable into the Sensor, and run the other end of the wire inside the Bagger to the Power Bar.



Attach Grey connector with Black Wire (provided) to Power Bar metal slide with the metal side facing upward.

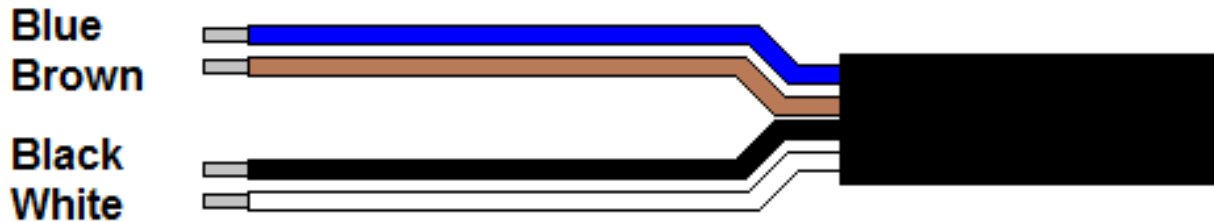




How To

Service Documents from APPI

The Sensor Cable contains four wires:

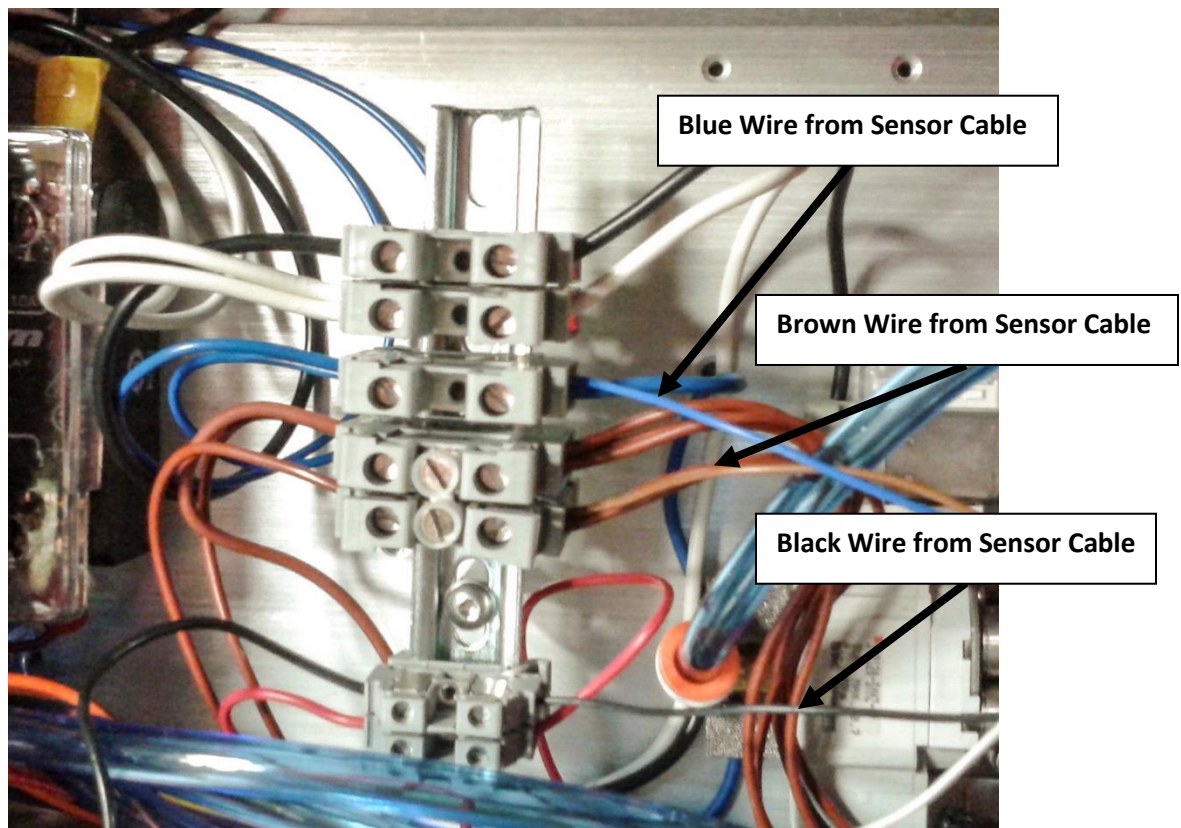


The Blue Wire (Marked 0V) screws into the Power Bar with the other Blue Wires.

The Brown Wire (Marked 24V) screws into the Power Bar with the other Brown Wires.

The Black Wire attaches to the Grey Connector that was provided.

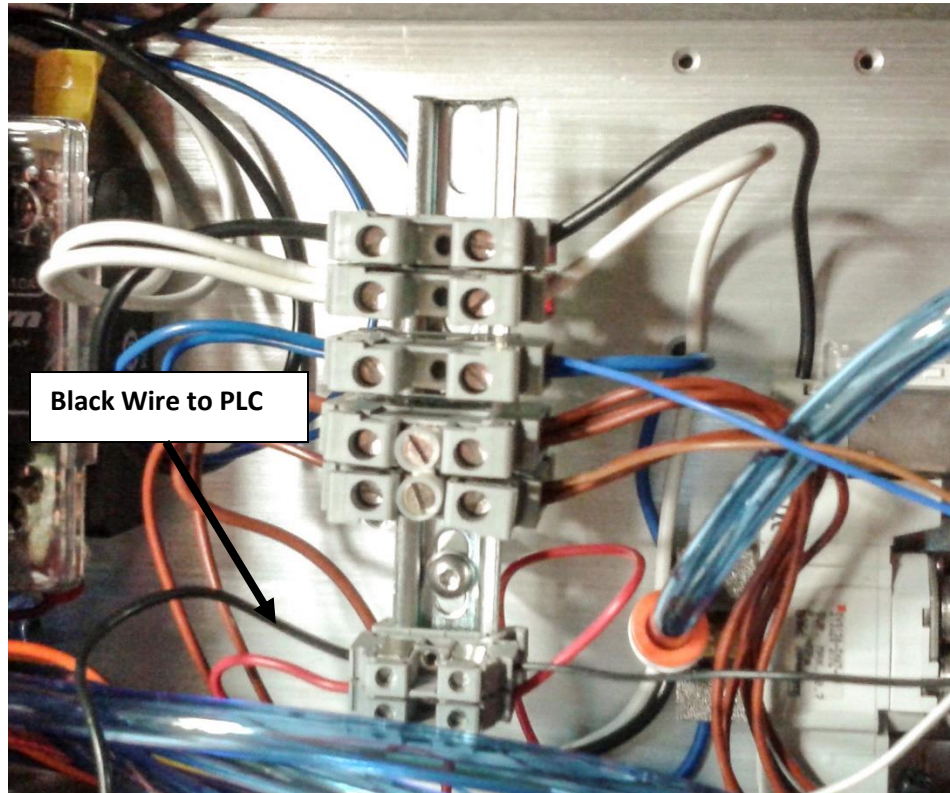
The White Wire is not used.





How To

Service Documents from APPI



Run the Black Wire from the Grey Connector through the opening in the Side Panel to the PLC Expansion Card.

Unplug Connector

Remove the PLC Connector by pulling back the Locking Tabs, and gently unplugging the Connector.



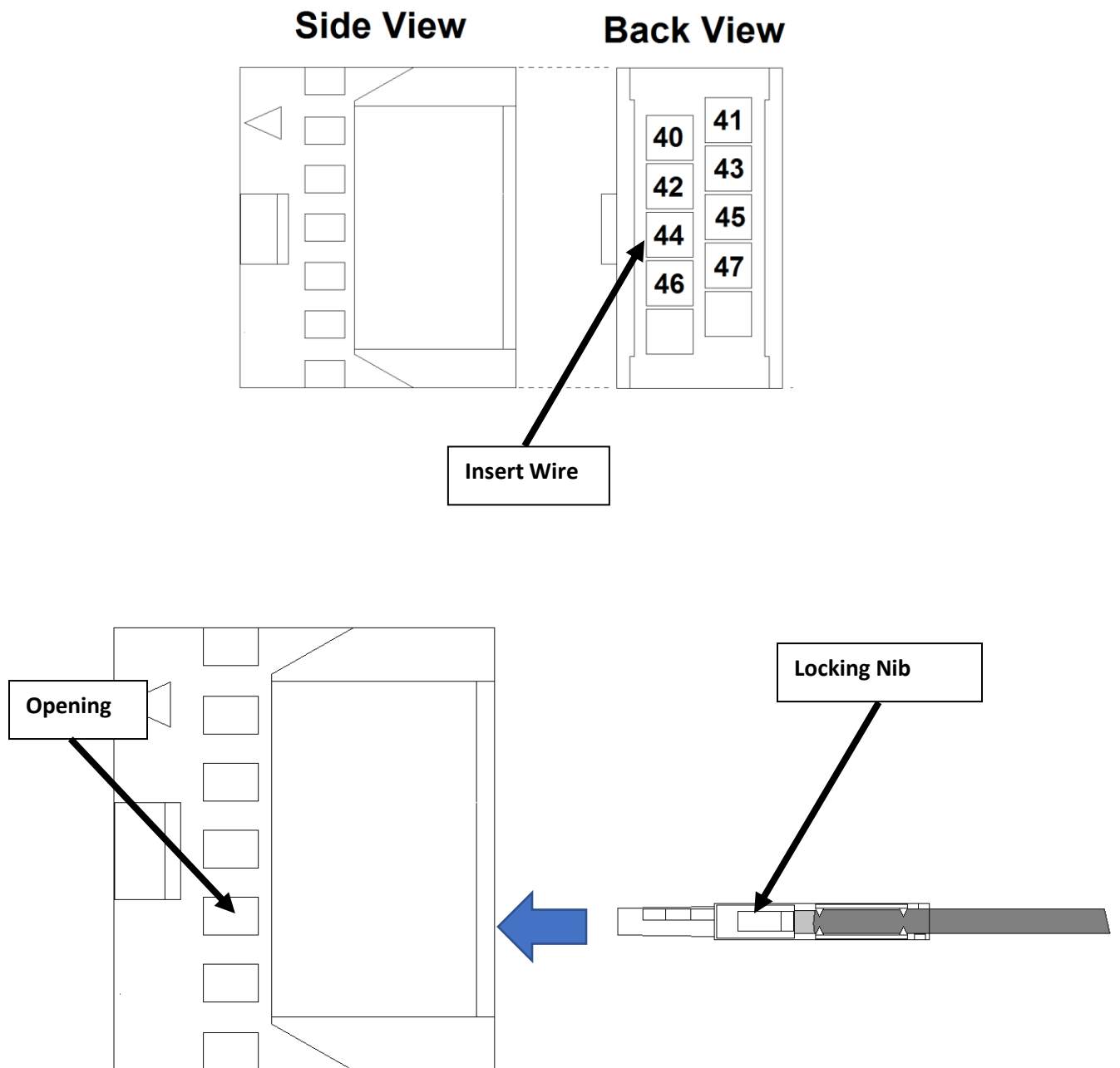


How To

Service Documents from APPI

Once the Connector is unplugged, insert the end of the Black Wire with the crimped contact into the Connector in the position shown (X44). Make sure the locking nib is facing the corresponding opening in the Connector Housing.

PLC Connector

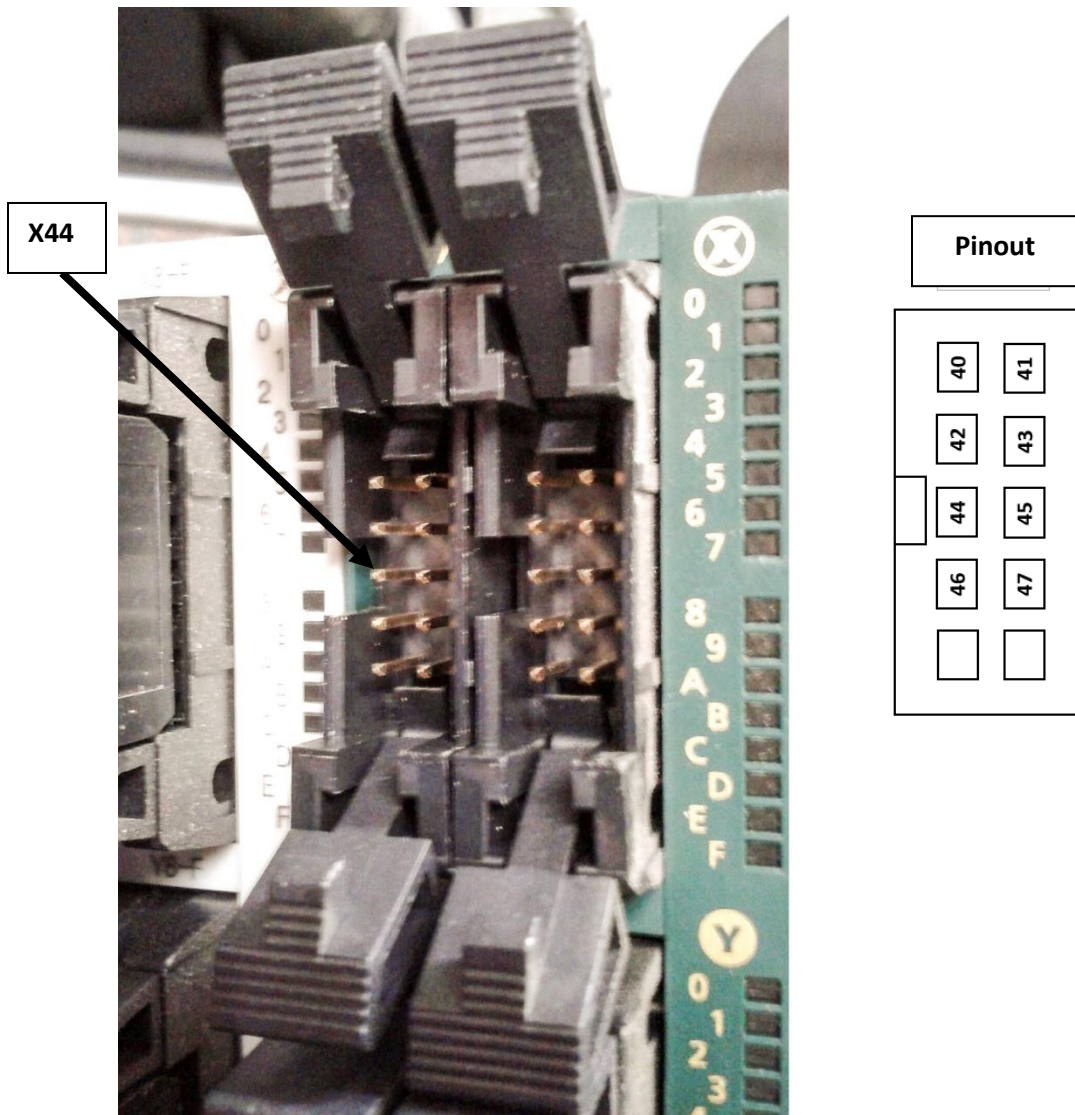




How To

Service Documents from APPI

Mating Connector on PLC Expansion



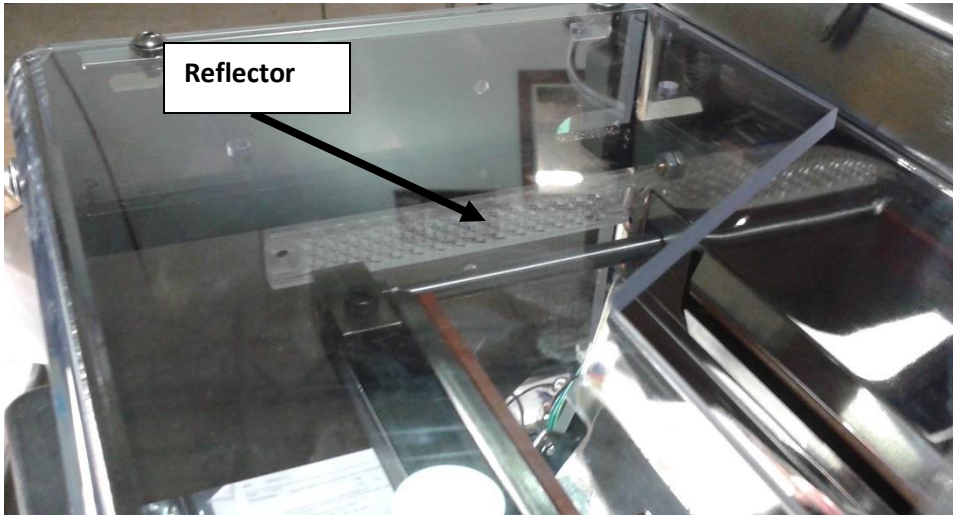
This completes the wiring.



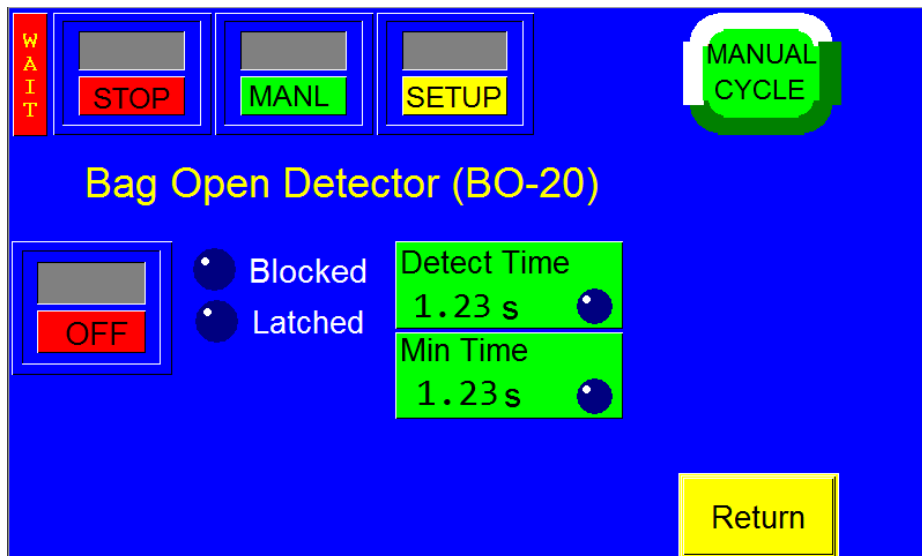
How To

Service Documents from APPI

Install Reflector using double-sided tape on side opposite Sensor.



Activate BO-20 using Touch Screen program.





How To

Service Documents from APPI

TO-T14-BO20 Parts

ITEM NO	QTY	PART NO	DESCRIPTION
1	1	TP-216147	SENSOR, CLEAR MATERIAL PHOTOCELL
2	1	TP-BO20-1	SENSOR MOUNT BLOCK
3	1	TP-BO20-3	SENSOR MOUNT ROD
4	1	TP-BO20-2	SENSOR MOUNT BRACKET
5	1	TP-109206	THREADED KNOB
6	1	T14-BO20-4	LEXAN GUARD
7	1	TP-216092	REFLECTOR, BANNER

