



How To

Service Documents from APPI

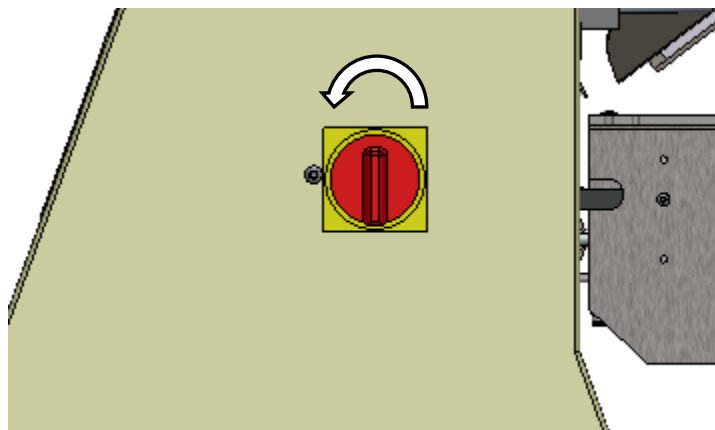
Document: #HT000097

Document Title: Replace Drive Belt

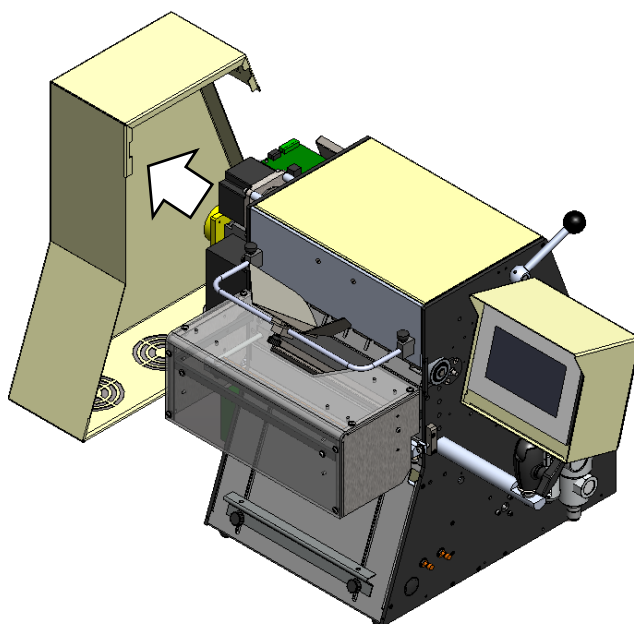
Product(s): T-300/375

Procedure:

Turn Main Power OFF.



Remove **Side Panel** from unit.

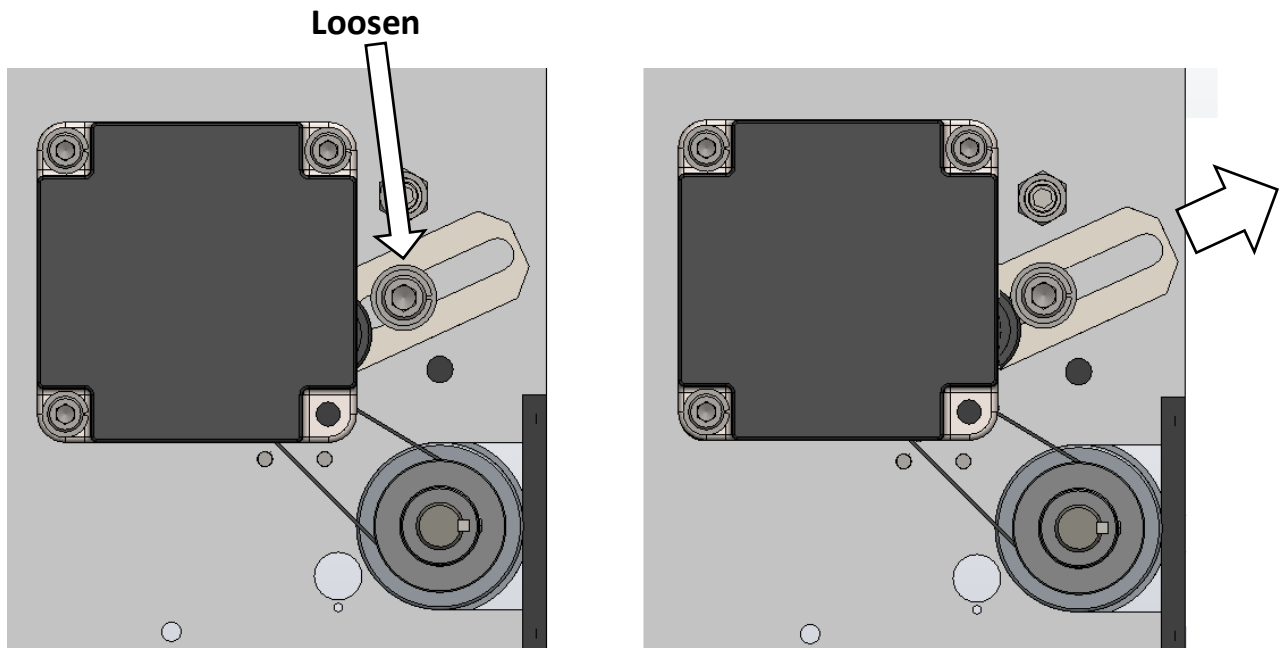




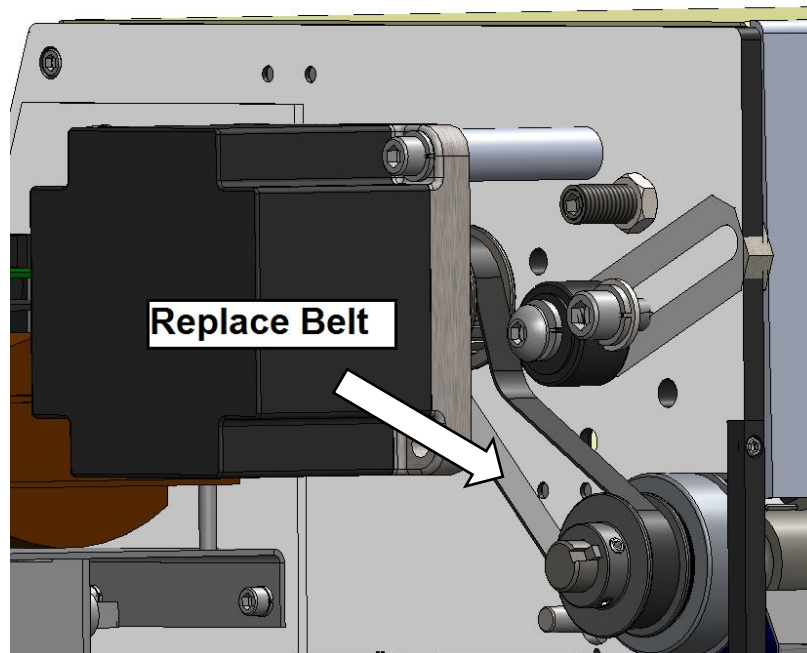
How To

Service Documents from APPI

Loosen SHCS and move Tensioner back to release Drive Belt.



Remove worn Drive Belt. Install replacement Drive Belt.

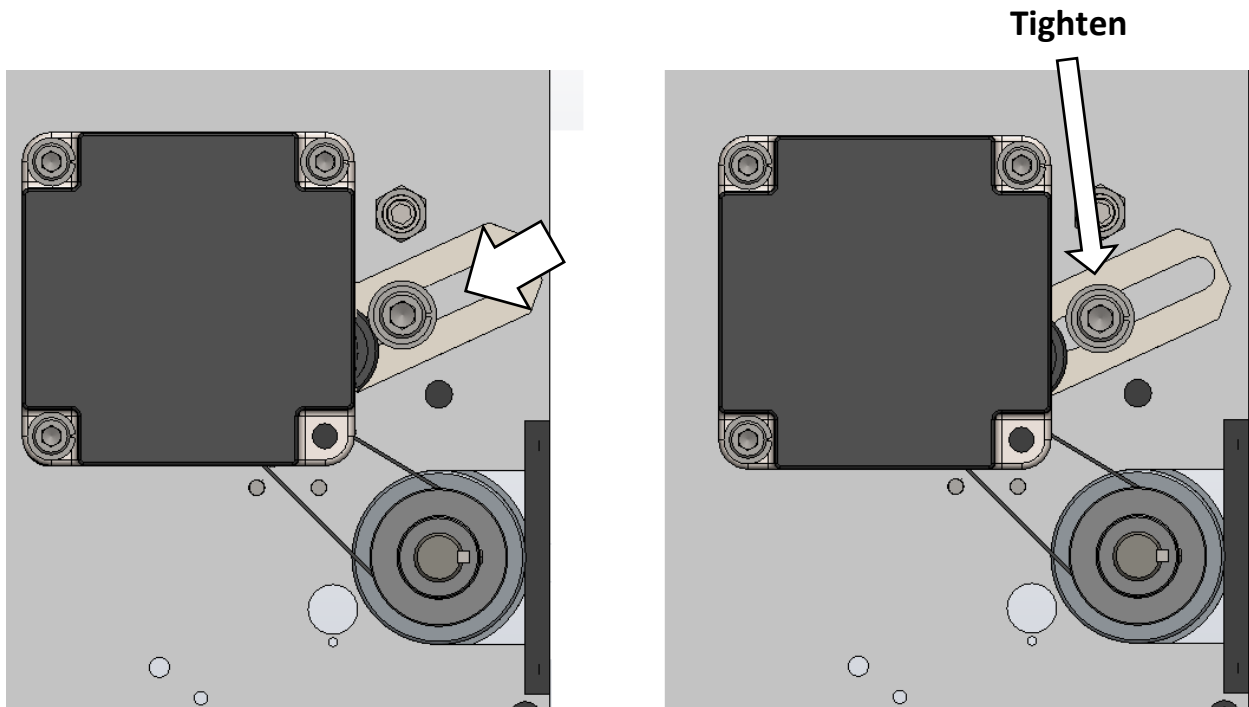




How To

Service Documents from APPI

Move Tensioner back into position, tighten SHCS.



Replace **Side Cover**

