



How To

Service Documents from APPI

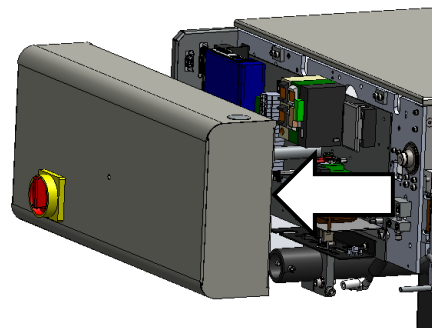
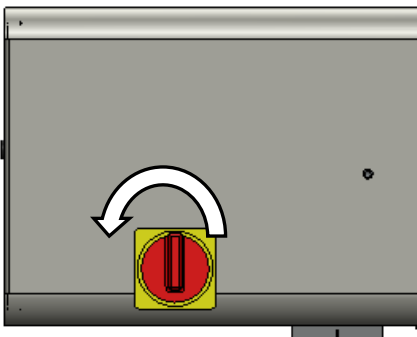
Document: #HT000107

Document Title: Replace High-Voltage Transformer

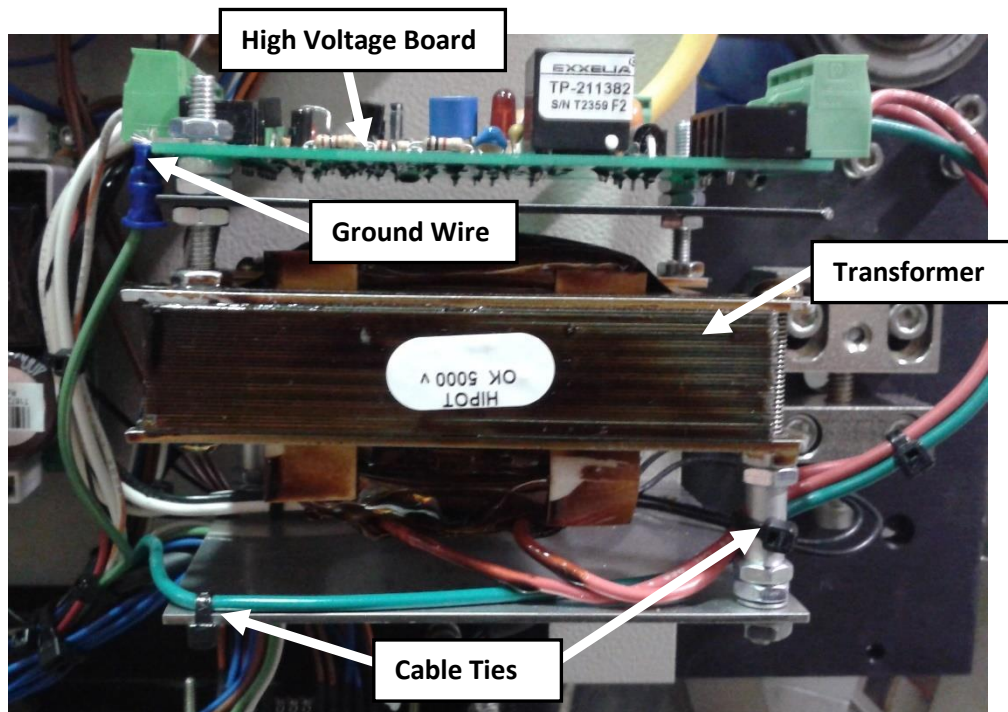
Product(s): T-1000

Procedure:

Turn main Power OFF, disconnect power, and remove Left-Side Panel.



Locate Transformer and High-Voltage Board.

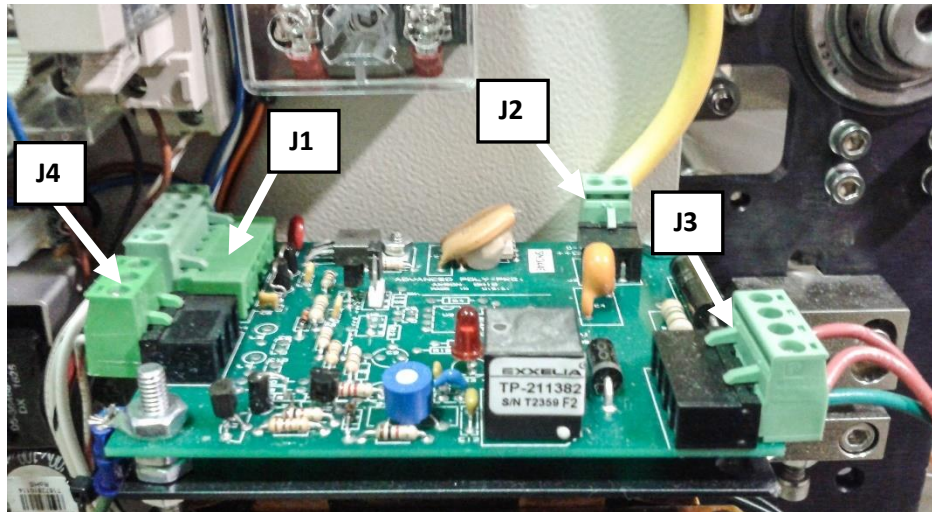




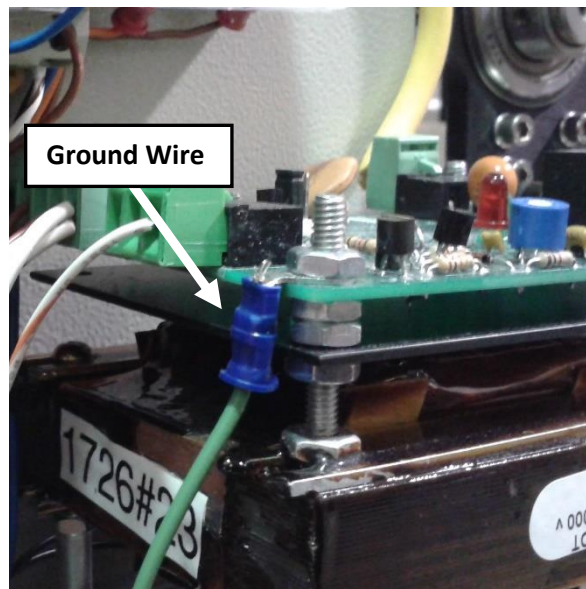
How To

Service Documents from APPI

Unplug all four cables from High-Voltage Board (J1 through J4):



Disconnect Ground Wire.

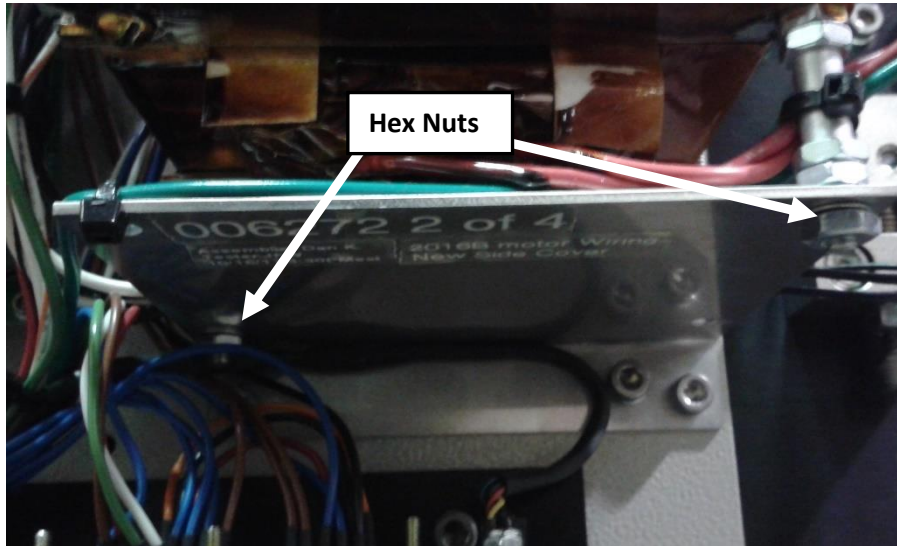




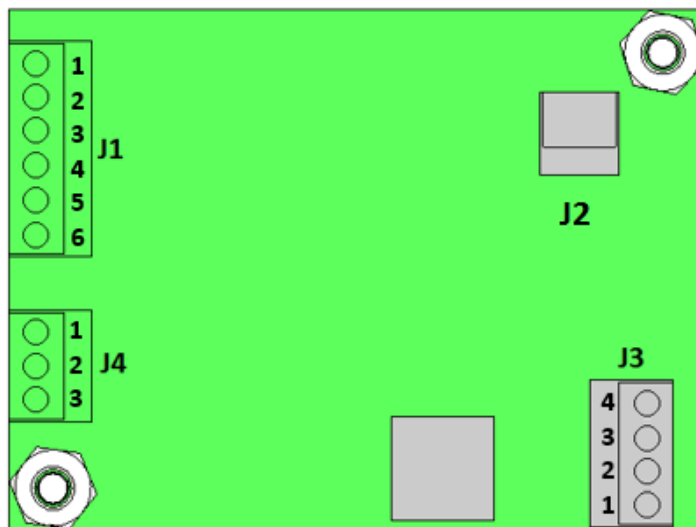
How To

Service Documents from APPI

Loosen two (2) Hex Nuts and remove Transformer from Mounting Bracket.



High Voltage Board Connectors and Pin Numbering

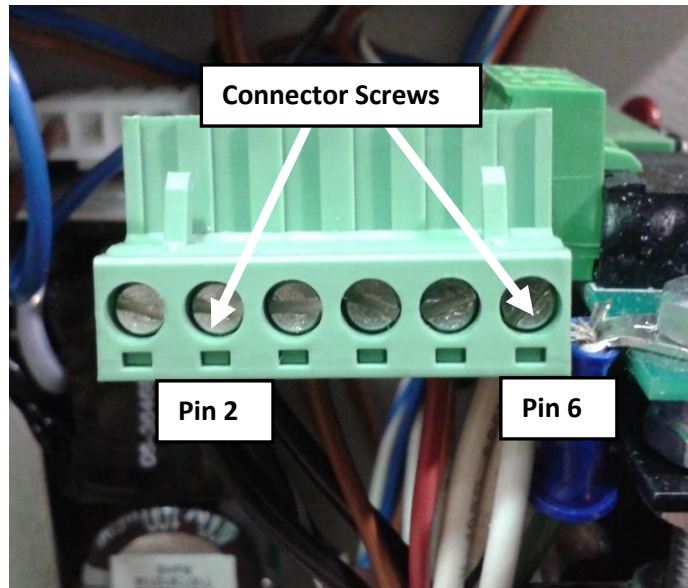




How To

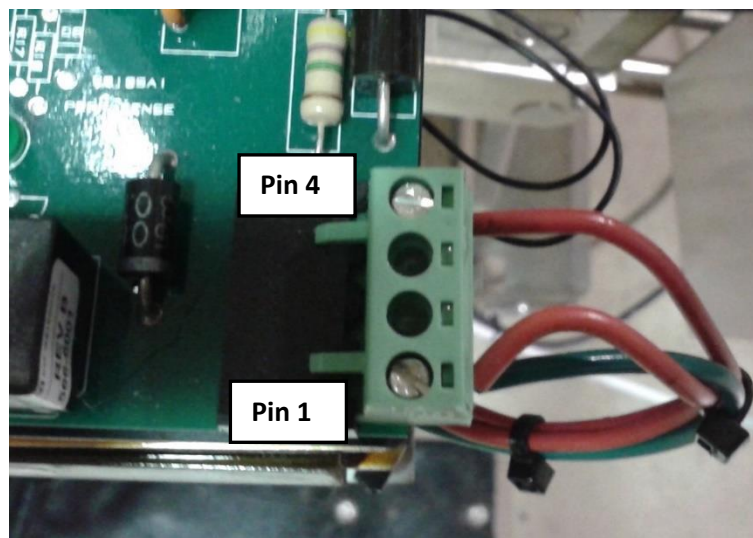
Service Documents from APPI

Loosen Connector Screws (Pins 2 & 6) to remove the following wires from J1 Connector:



- Pin 2 – Black Wires (2)
- Pin 6 – White Wire w/Black Stripe (2)

Loosen Connector Screws (Pins 1 & 4) and remove the following wires from J3:



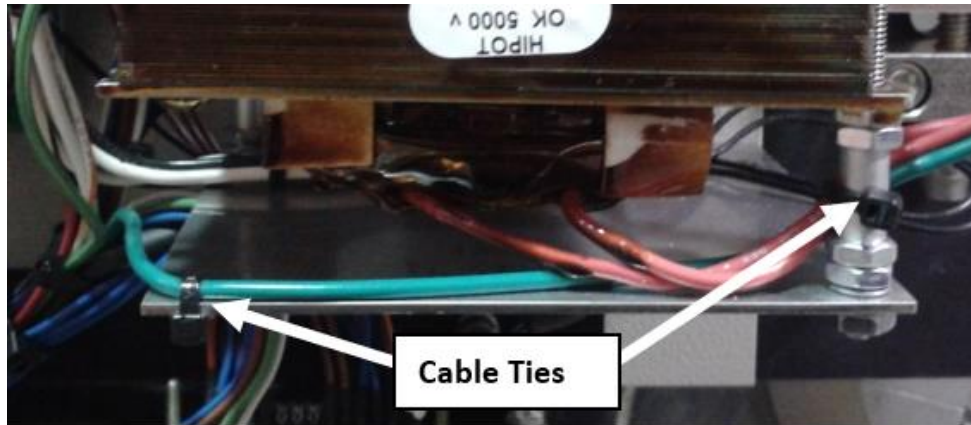
- Pin 1 – Red Wire & Green Wire
- Pin 4 – Red Wire



How To

Service Documents from APPI

Cut Cable-Ties.

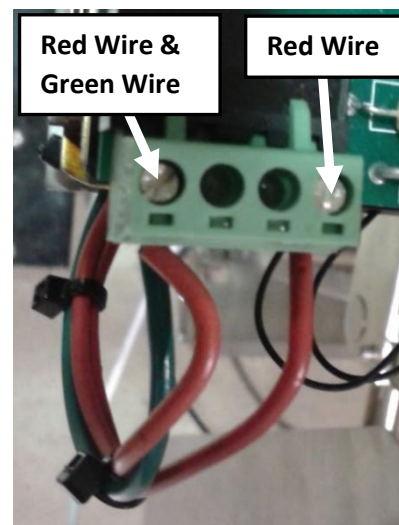
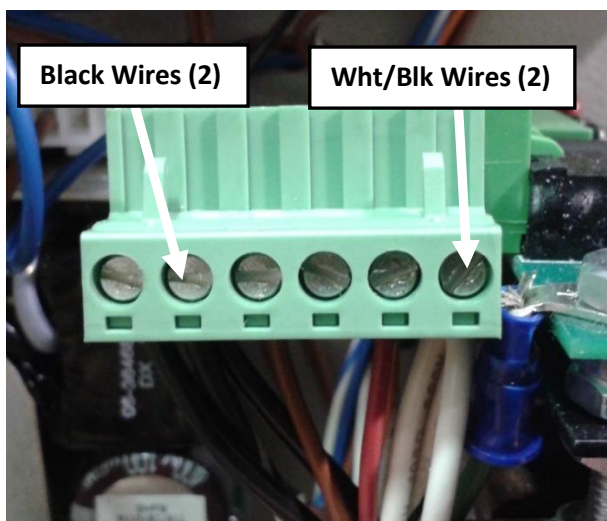


Install replacement Transformer (TP-211386).

Re-assemble Transformer and High-Voltage Board.

Insert wires from Transformer into connectors as described below, and tighten screws.

- Insert Black Wires (2) into J1, Pin 2.
- Insert White Wires w/Black Stripe (2) into J1, Pin 6.
- Insert Red Wire and Green Wire into J3, Pin 1.
- Insert Red Wire into J3, Pin 4.

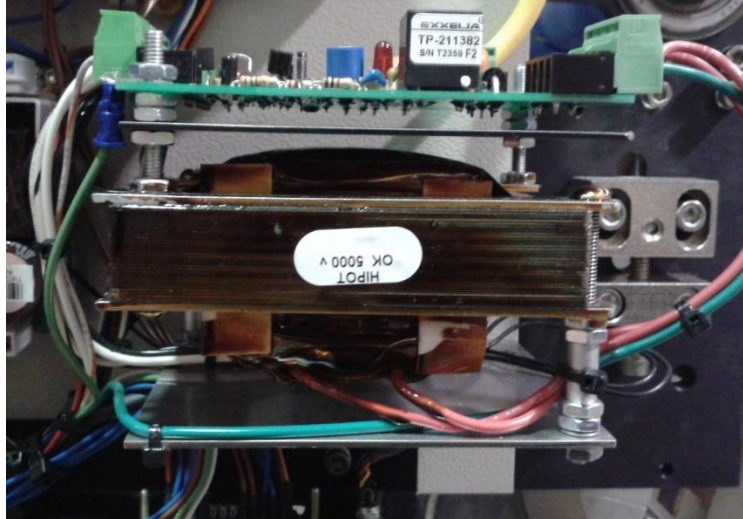




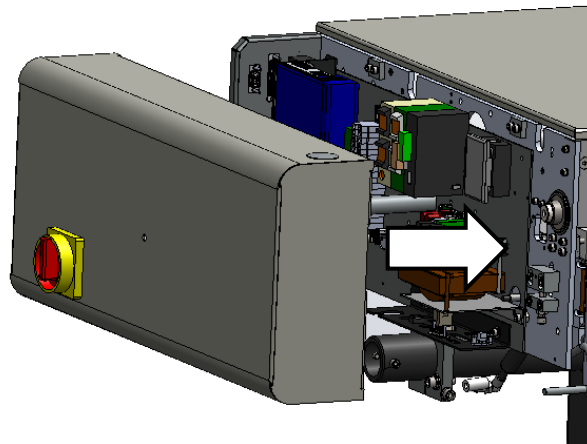
How To

Service Documents from APPI

Plug in cables, and dress Transformer wires as shown; replace Cable Ties.



Replace Side Cover.

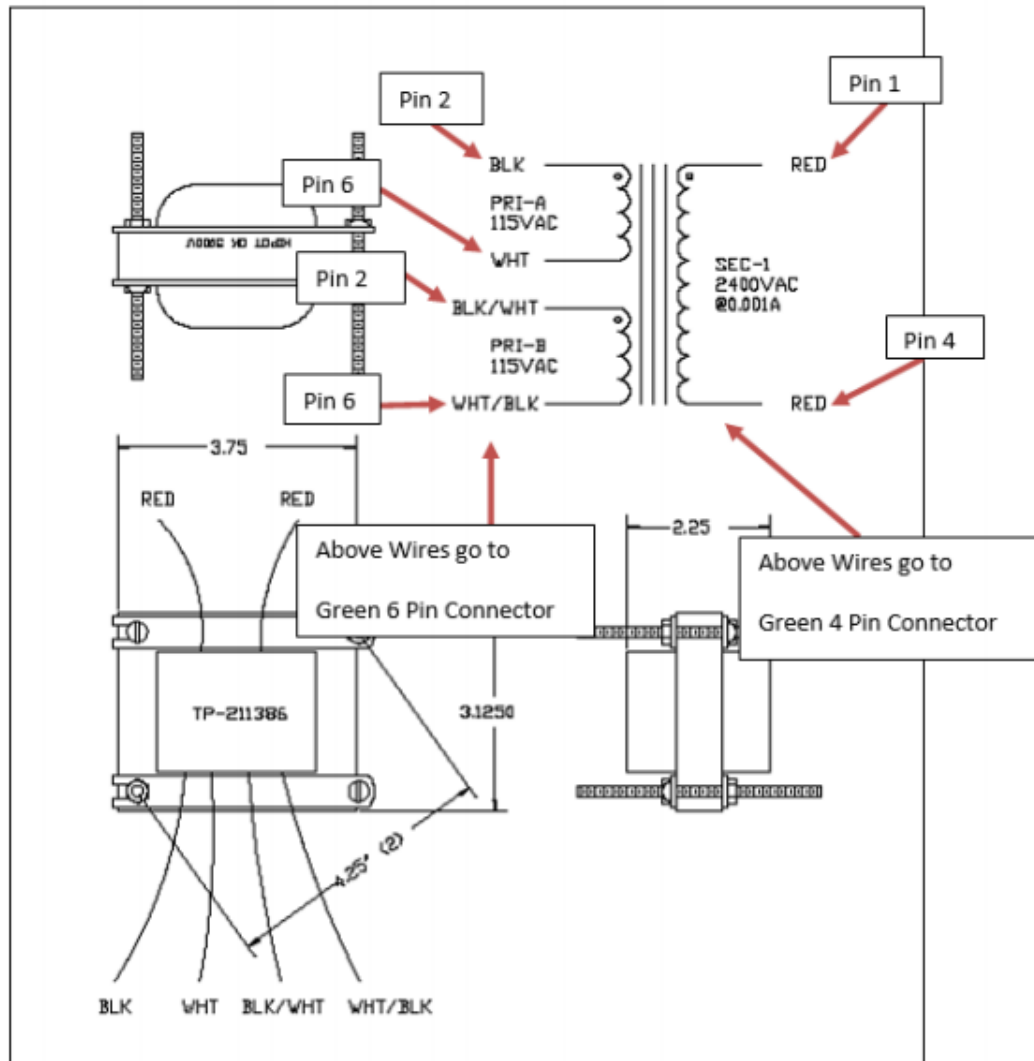




How To

Service Documents from APPI

110VAC Schematic





How To

Service Documents from APPI

220VAC Schematic

