



How To

Service Documents from APPI

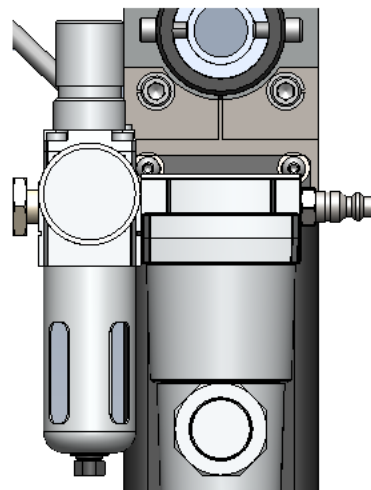
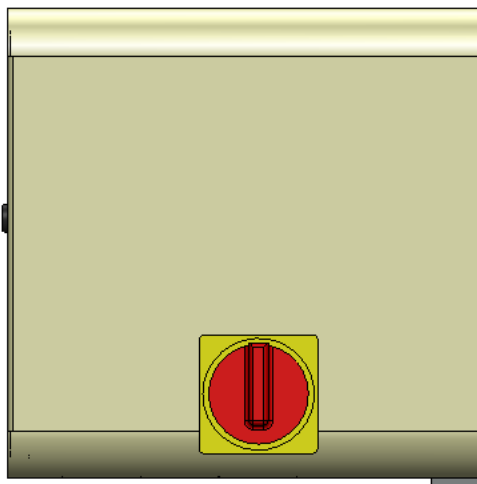
Document: #HT000096

Document Title: Replace Coiled Cable

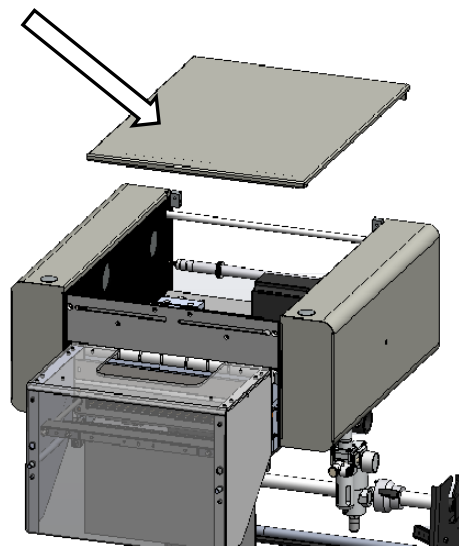
Product(s): T-1000

Procedure:

Turn **Main Power OFF** and disconnect air.



Remove **Top Cover**.



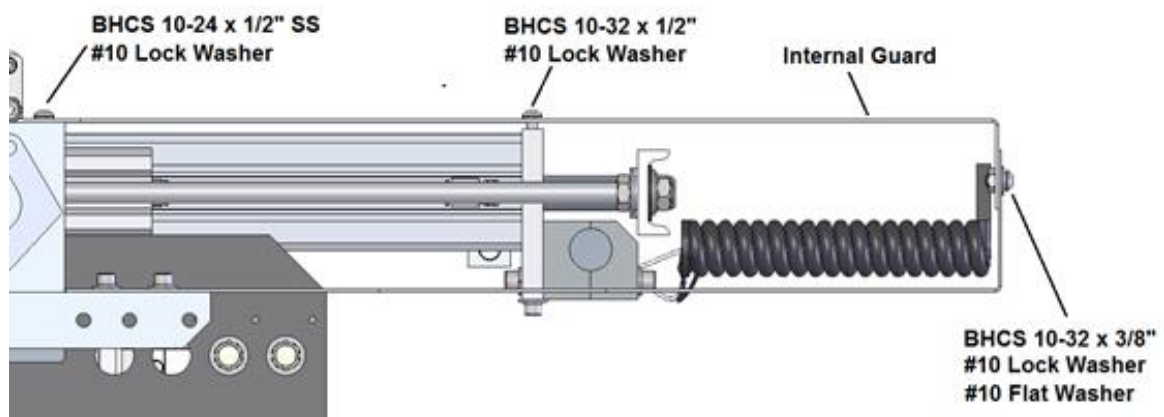
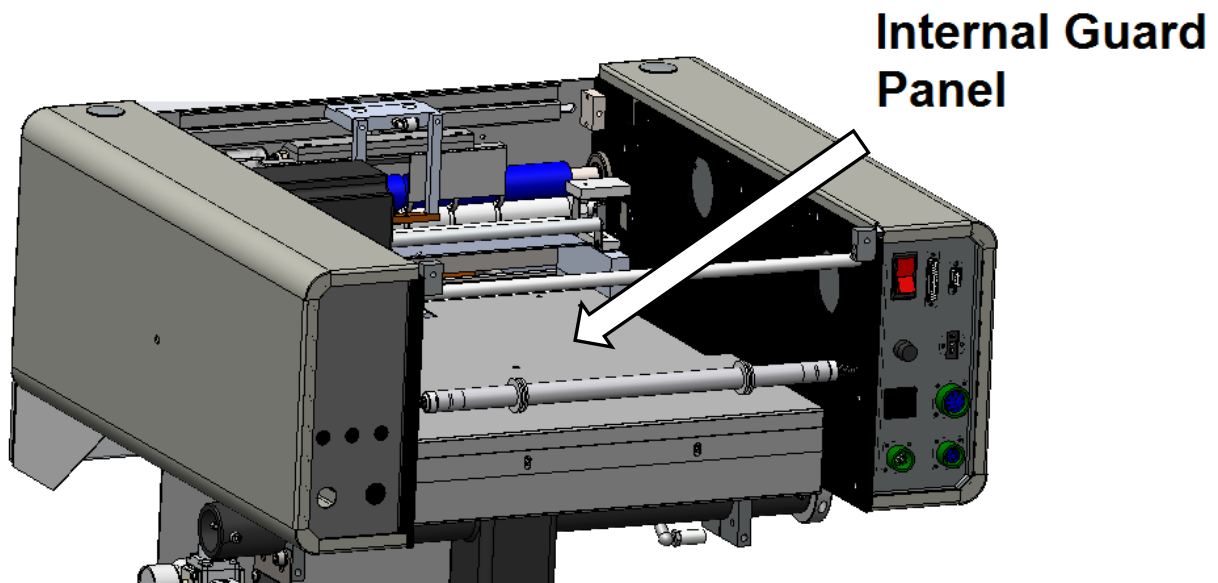


How To

Service Documents from APPI

Remove **Internal Guard Panel** by first removing:

- Two (2) BHCS 10-24 x 1/2" SS
- One (1) BHCS 10-32 x 1/2"
- Two (2) BHCS 10-32 x 3/8"
- Five (5) #10 Lock Washer
- Five (5) #10 Flat Washer

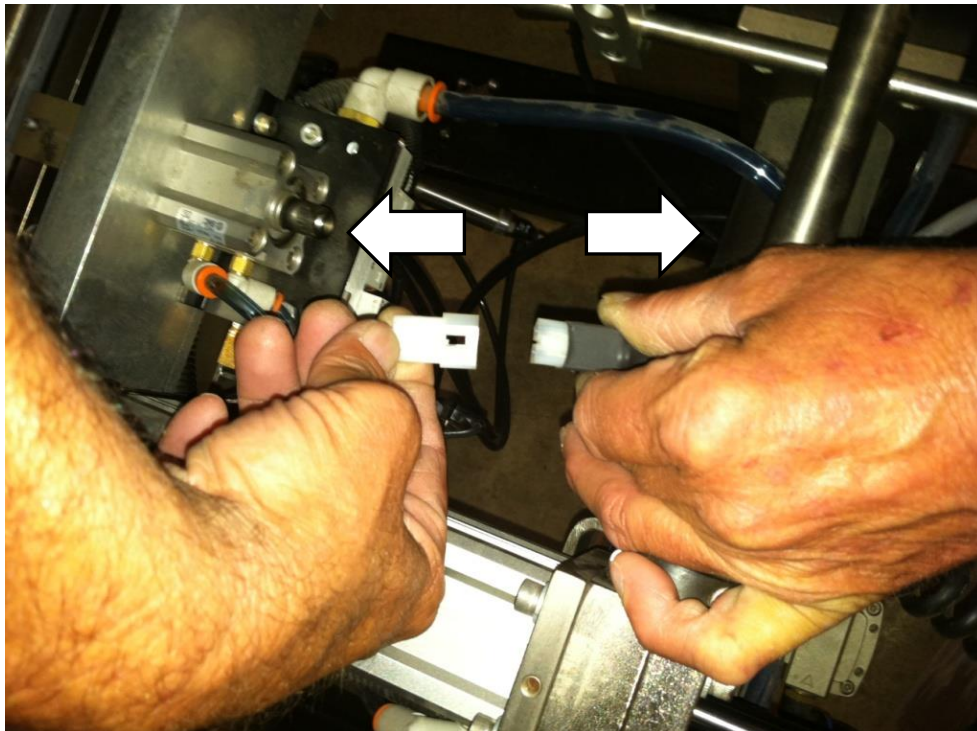
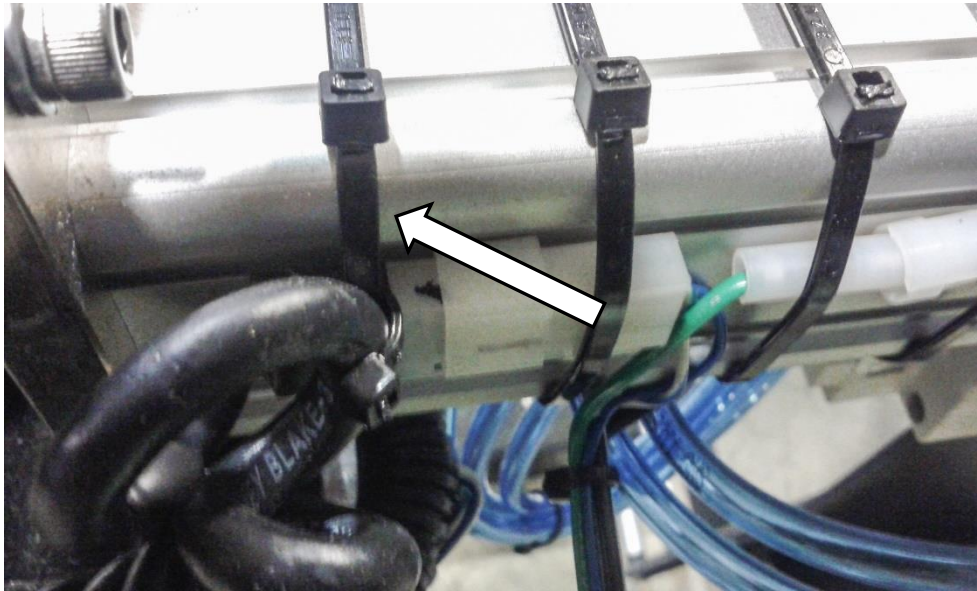




How To

Service Documents from APPI

Cut cable-ties holding **Coiled Cable** to unit, and unplug cable.





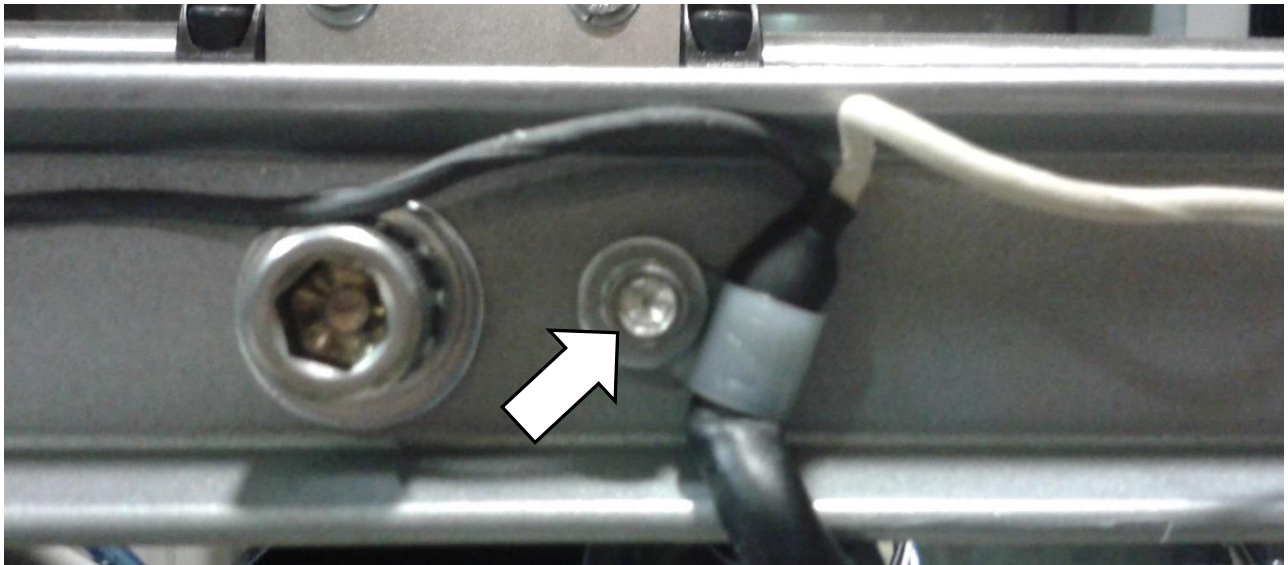
How To

Service Documents from APPI

Disconnect **Coiled Cable** from **Seal Guide Rods** by removing Hex Jam Nuts and Internal Tooth Lock Washers.



Remove **Wire Clamp**.



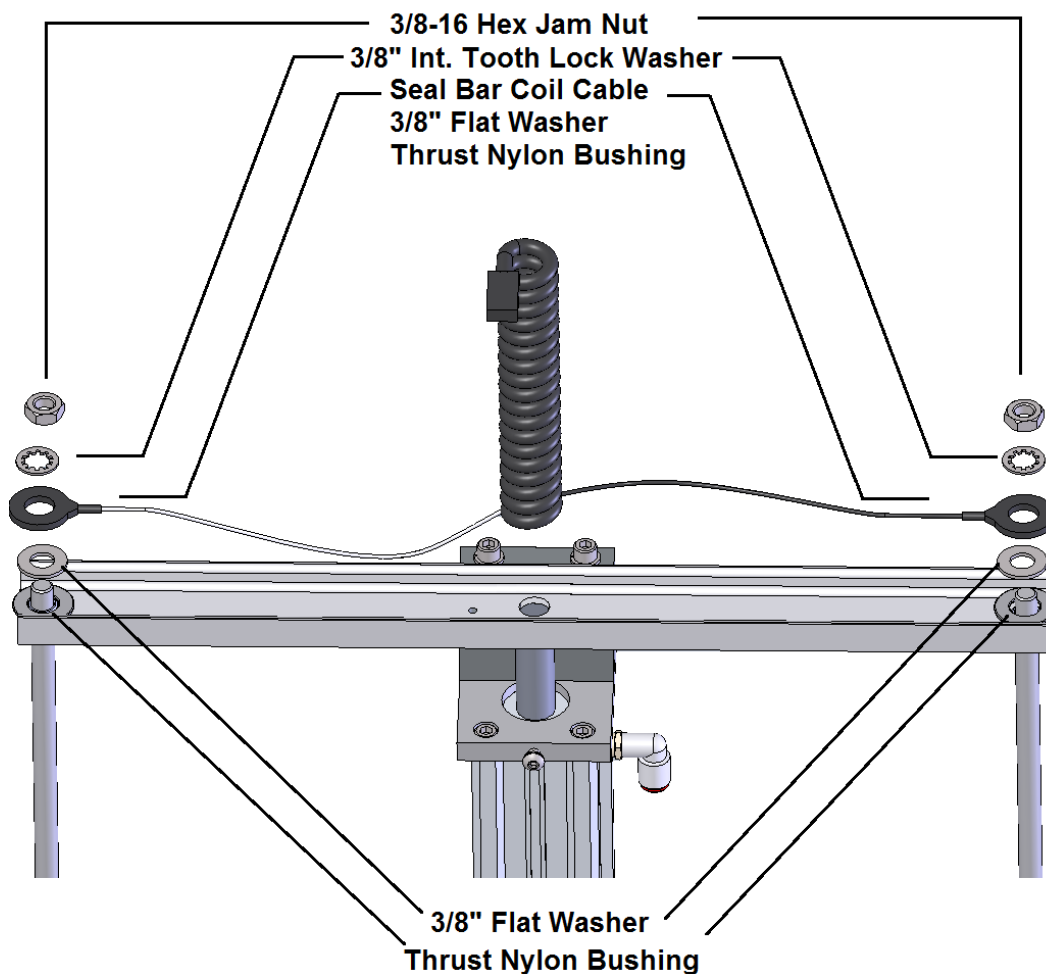


How To

Service Documents from APPI

Install the new **Coiled Cable** to the **Seal Guide Rods**, installing the following, in order:

- Thrust Nylon Bushing
- 3/8" Flat Washer
- Seal Bar Coil Contact
- 3/8" Int. Tooth Lock Washer
- 3/8-16 Hex Jam Nut



Tighten the Jam Nuts, ensuring that the Jam Nuts in front of the Sealer Rod Tie are tightened first.



How To

Service Documents from APPI

Make sure to connect the white and black wires as shown below (Rear View):

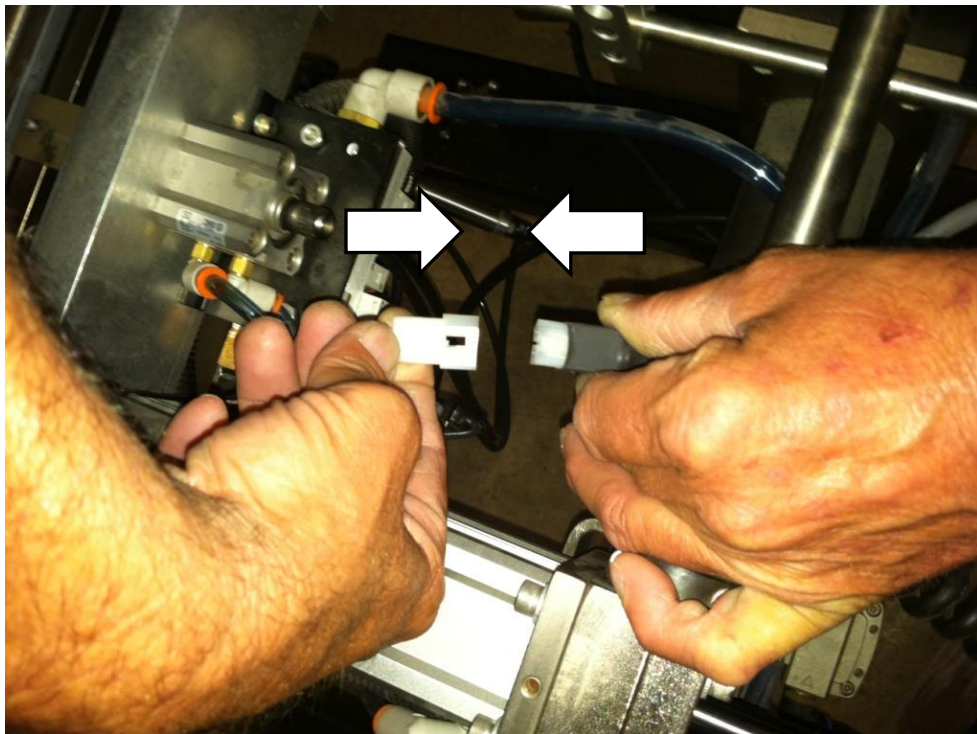
Black Wire



White Wire



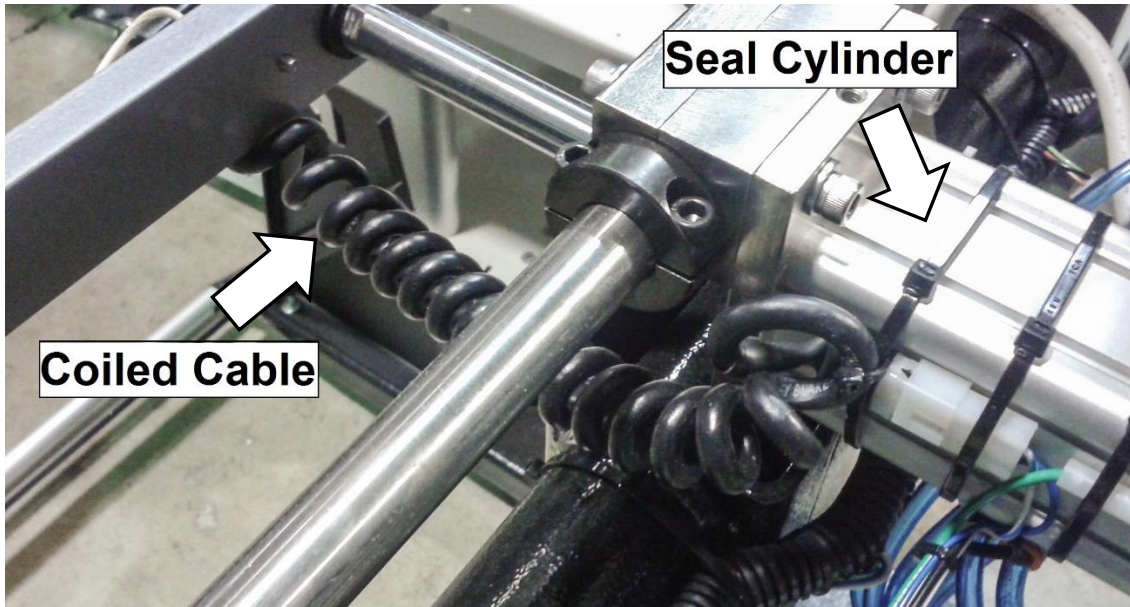
Plug in **Coiled Cable** connector, and cable-tie to **Seal Cylinder** as before.





How To

Service Documents from APPI



Replace **Internal Guard** and **Top Panels**.

