



How To

Service Documents from APPI

Document: #HT000039

Document Title: Identify Standard Frame vs. Drop Frame Models

Product(s): T-1000

Procedure:

There are two different configurations possible for T-1000 Baggers:

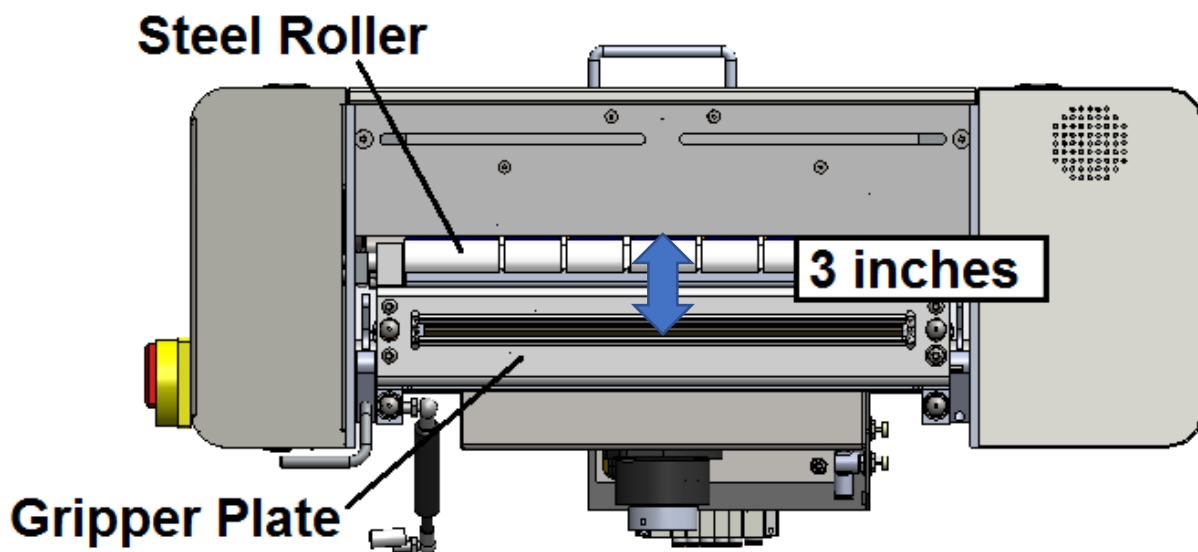
- Standard Frame
- Drop Frame

The following information describes the visual differences between the two models, as well as the minimum required bag length for each. The minimum Bag Length is based upon the distance between the **Steel Roller** and the **Heater Bar**.

The most obvious visual indicator is the presence of the **Spacer Plate** on the drop frame model

Standard Frame

Minimum Bag Length: 3"





How To

Service Documents from APPI

Drop Frame

Minimum Bag Length: 5"

