



# How To

Service Documents from APPI

**Document: #HT000048**

**Document Title: Blue Roller Adjustment**

**Product(s): T-1000**

**Procedure:**

Raise the Jaw so that the Steel Roller almost touches the Blue Roller. It may help if someone shines a light from the back of bagger. Look for an even Gap between the Steel Roller and Blue Roller.

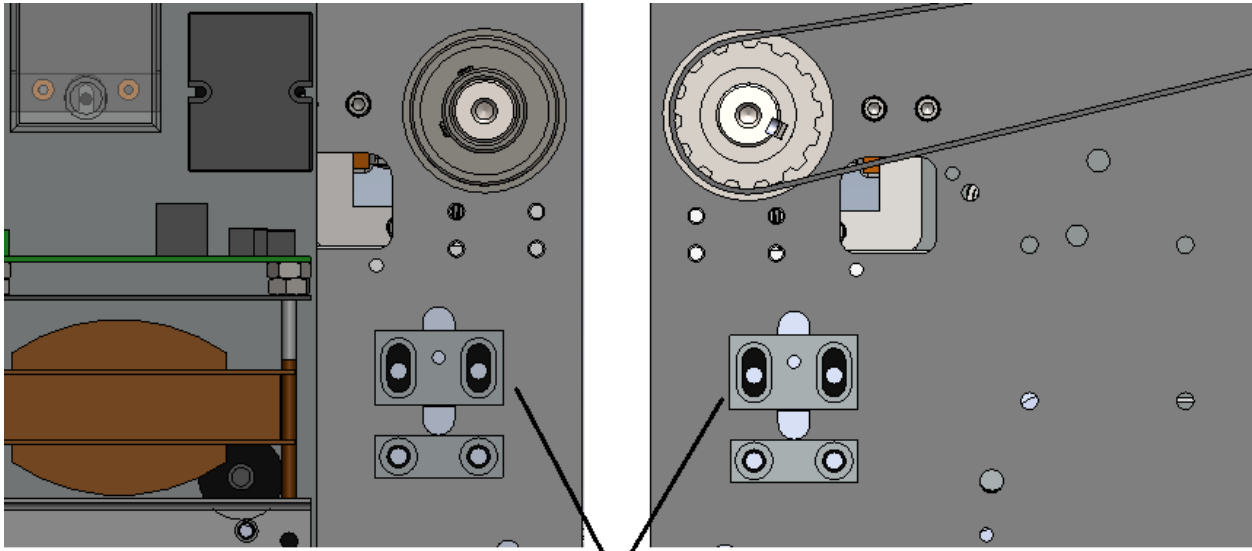


If Rollers are not parallel, you will need to adjust the Latch Lock Blocks.



# How To

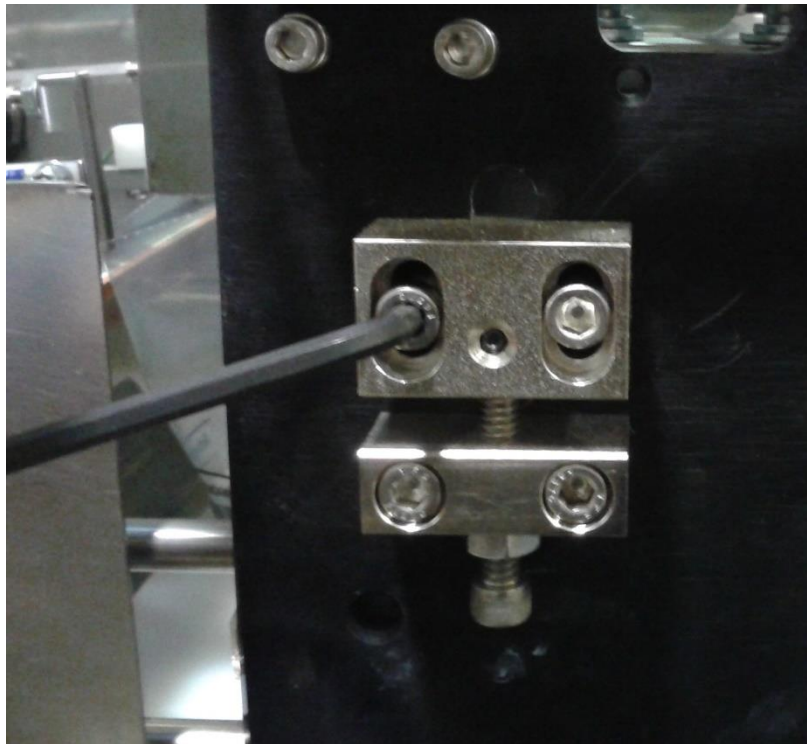
Service Documents from APPI



**Latch Lock Block**

Left Side View

Right Side View

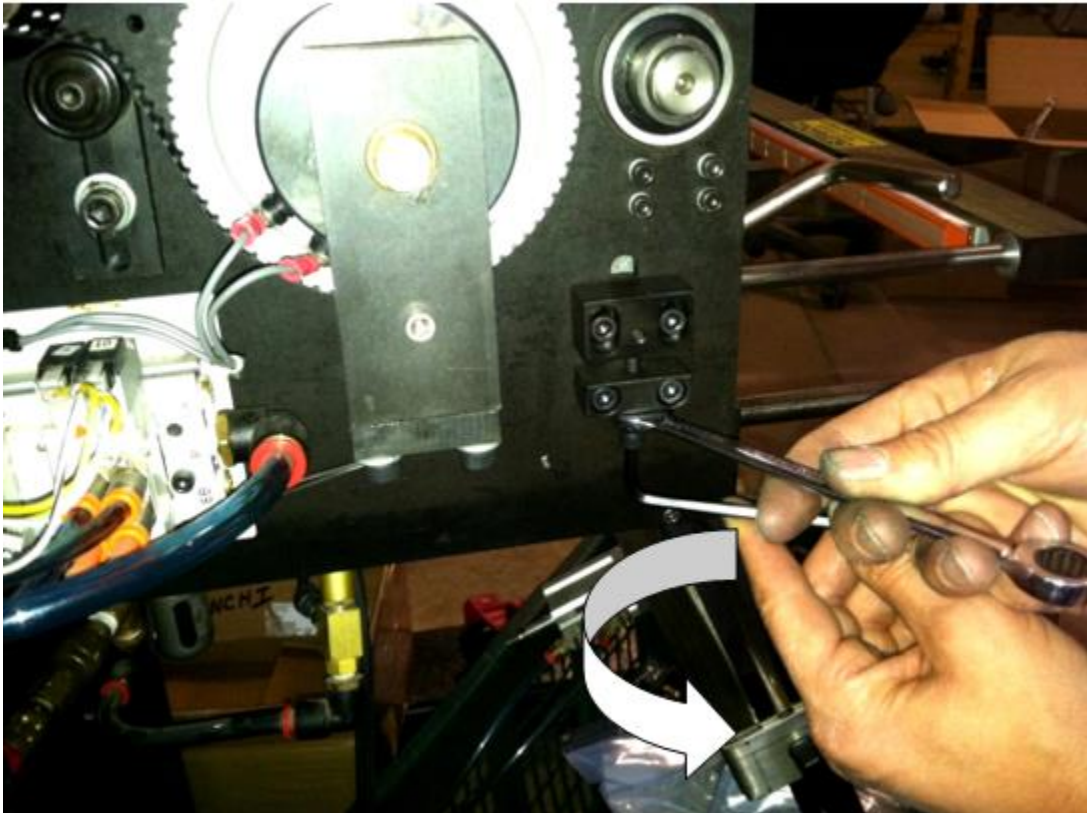




# How To

## Service Documents from APPI

Loosen the 2 Socket Head Bolts on each Latch Lock Block.



(Increasing Pressure, shown above)

Loosen the Lock Nut.

Turn your Allen Wrench Counter-Clockwise to increase Pressure or close the gap.

Turn Clockwise to decrease pressure or open the gap.

With Jaw completely shut, gradually raise each side of the Steel Roller until it just touches the Blue Roller. Then, turn another  $\frac{1}{4}$ -turn Counter-Clockwise.



# How To

## Service Documents from APPI



With the Jaw closed, see if you can pull a bag out. The bag should almost tear.

If bag comes out easily, you need to increase pressure.

***Caution: Over tightening of roller may cause damage to the Blue Roller or Motor and excessive wear on clutch.***

Tighten Socket Bolts on Latch Lock Blocks and tighten Hex Nut.