

6

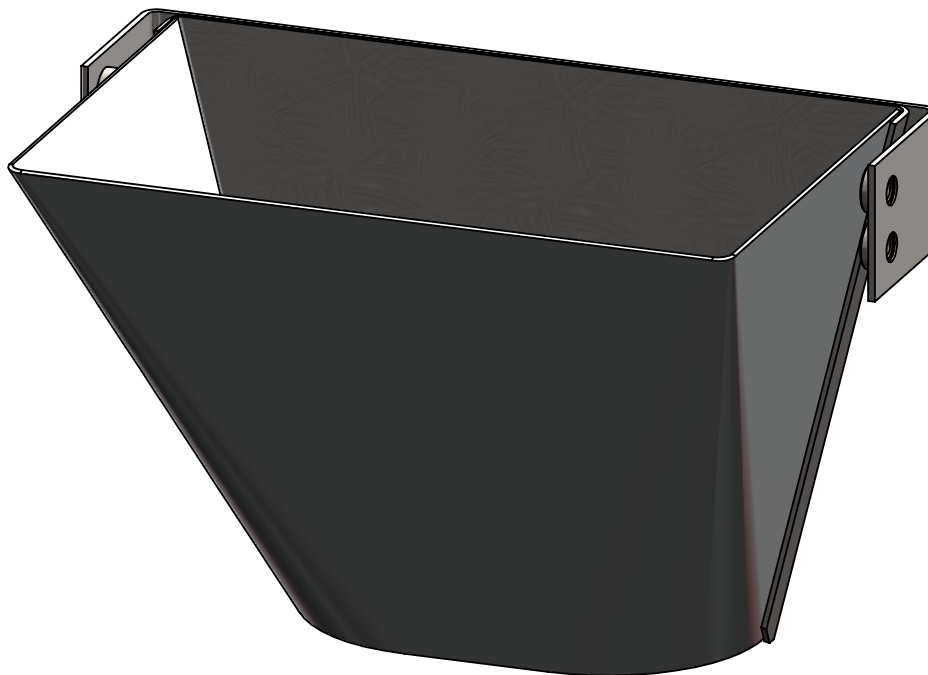
5

4

3

2

1



3D model of typical APP Standard Funnel.

Note:
 Top opening dimensions does not change.
 Bottom opening does change.
 (see opening chart 'Sheet 6 of 6')

Note: Brackets and fasteners are sold separately. One bracket assembly is required for quick change funnels. Two T-Handles are required for each funnel.

Advanced Poly-Packaging, Inc.

1331 Emmitt Road • Akron, OH 44306 • 1-800-754-4403 • fax 330-785-4010 • www.advancedpoly.com

A		RELEASED FOR DOCUMENTATION		7/10/2018		C.N.L.		DESCRIPTION:	
REV.		DESCRIPTION		DATE		APPROVED		SIZE: DWG. NO: REV:	
DIMENSIONS ARE IN INCHES TOLERANCES: FRACTIONAL: ±1/64 ANGULAR: MACH: ±1° TWO PLACE DECIMAL: ±0.010 THREE PLACE DECIMAL: ±0.003 (UNLESS OTHERWISE SPECIFIED)		PROPRIETARY AND CONFIDENTIAL		BOM REF: T-1000 BAGGER		DESIGNED BY: <i>Stuart Baker</i>		SIZE #10, (5" FUNNEL) FOR 10" BAGS	
		THE INFORMATION CONTAINED IN THIS DRAWING IS THE SOLE PROPERTY OF <i>Advanced Poly-Packaging, Inc.</i> ANY REPRODUCTION IN PART OR AS A WHOLE WITHOUT THE WRITTEN PERMISSION OF <i>APP</i> IS PROHIBITED.		NUMBER REQ'D: 1		DESIGN DATE:			
				MATERIAL:		DETAILED BY:		SOURCE P/N:	
				FINISH: NONE		DETAIL DATE:		P/N: TO-T1-FU-10	
REMOVE ALL SHARP EDGES								A TO-T1-FU A SCALE: 1:2 WEIGHT: # SHEET: 1 of 6	

6

5

4

3

2

1

A

A

6

5

4

3

2

1

D

D

C

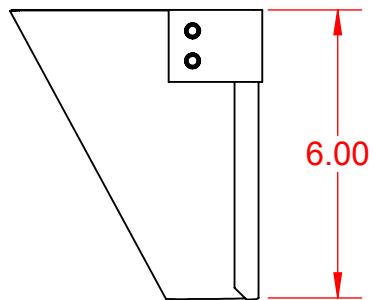
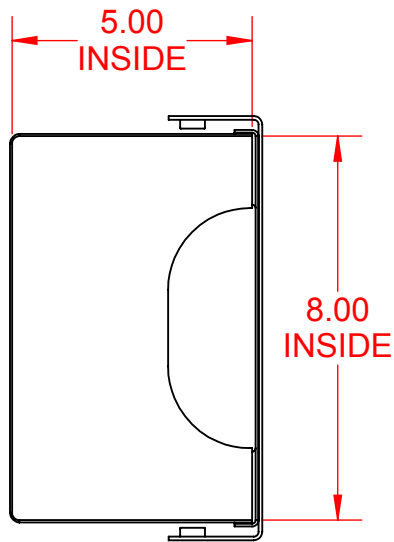
C

B

B

A

A



Advanced Poly-Packaging, Inc.

1331 Emmitt Road • Akron, OH 44306 • 1-800-754-4403 • fax 330-785-4010 • www.advancedpoly.com

DESCRIPTION:			
SIZE #10, (5" FUNNEL) FOR 10" BAGS			
SIZE:	DWG. NO:	REV:	
A	TO-T1-FU	A	
SCALE:	WEIGHT:	SHEET:	
1:4	#	2 of 6	

DIMENSIONS ARE IN INCHES TOLERANCES: FRACTIONAL: ±1/64 ANGULAR: MACH: ±1° TWO PLACE DECIMAL: ±0.010 THREE PLACE DECIMAL: ±0.003 (UNLESS OTHERWISE SPECIFIED)	PROPRIETARY AND CONFIDENTIAL	BOM REF: T-1000 BAGGER	DESIGNED BY: Stuart Baker	APPROVED:	
	THE INFORMATION CONTAINED IN THIS DRAWING IS THE SOLE PROPERTY OF <i>Advanced Poly-Packaging, Inc.</i> ANY REPRODUCTION IN PART OR AS A WHOLE WITHOUT THE WRITTEN PERMISSION OF <i>APPI</i> IS PROHIBITED.	NUMBER REQ'D: 1	DESIGN DATE:	PROJECT: STANDARD FUNNEL	
		MATERIAL:	DETAILED BY:	SOURCE P/N:	
		FINISH: NONE	DETAIL DATE:	P/N: TO-T1-FU-10	

REMOVE ALL SHARP EDGES

6

5

4

3

2

1

6

5

4

3

2

1

D

D

C

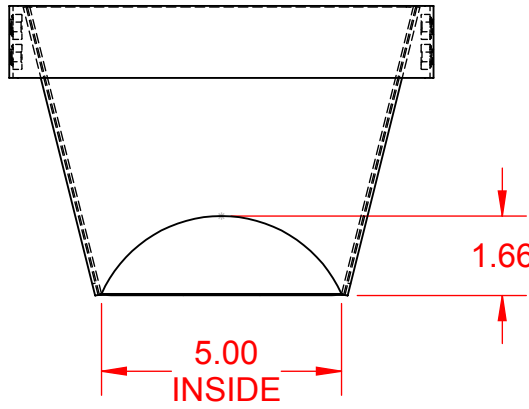
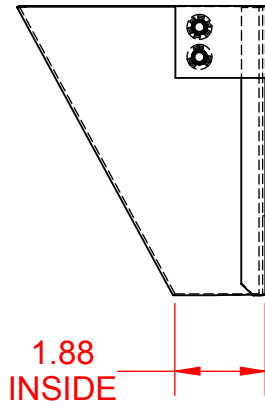
C

B

B

A

A



Note: All dimensions listed change per funnel size; see page 6 for opening sizes for each funnel size. Funnels are sold individual or as a kit where 1 funnel is no charge if purchased as a kit.



1331 Emmitt Road • Akron, OH 44306 • 1-800-754-4403 • fax 330-785-4010 • www.advancedpoly.com

DIMENSIONS ARE IN INCHES TOLERANCES: FRACTIONAL: ±1/64 ANGULAR: MACH: ±1° TWO PLACE DECIMAL: ±0.010 THREE PLACE DECIMAL: ±0.003 (UNLESS OTHERWISE SPECIFIED)	PROPRIETARY AND CONFIDENTIAL THE INFORMATION CONTAINED IN THIS DRAWING IS THE SOLE PROPERTY OF <i>Advanced Poly-Packaging, Inc.</i> ANY REPRODUCTION IN PART OR AS A WHOLE WITHOUT THE WRITTEN PERMISSION OF <i>APP</i> IS PROHIBITED.	BOM REF: T-1000 BAGGER	DESIGNED BY:	APPROVED: <i>Stuart Baker</i>	DESCRIPTION: SIZE #10, (5" FUNNEL) FOR 10" BAGS			
		NUMBER REQ'D: 1	DESIGN DATE:	PROJECT: STANDARD FUNNEL				SIZE: A
		MATERIAL:	DETAILED BY:	SOURCE P/N:	SCALE: 1:4	WEIGHT: #	SHEET: 3 of 6	
		FINISH: NONE	DETAIL DATE:	P/N: TO-T1-FU-10				

REMOVE ALL SHARP EDGES

6

5

4

3

2

1

6

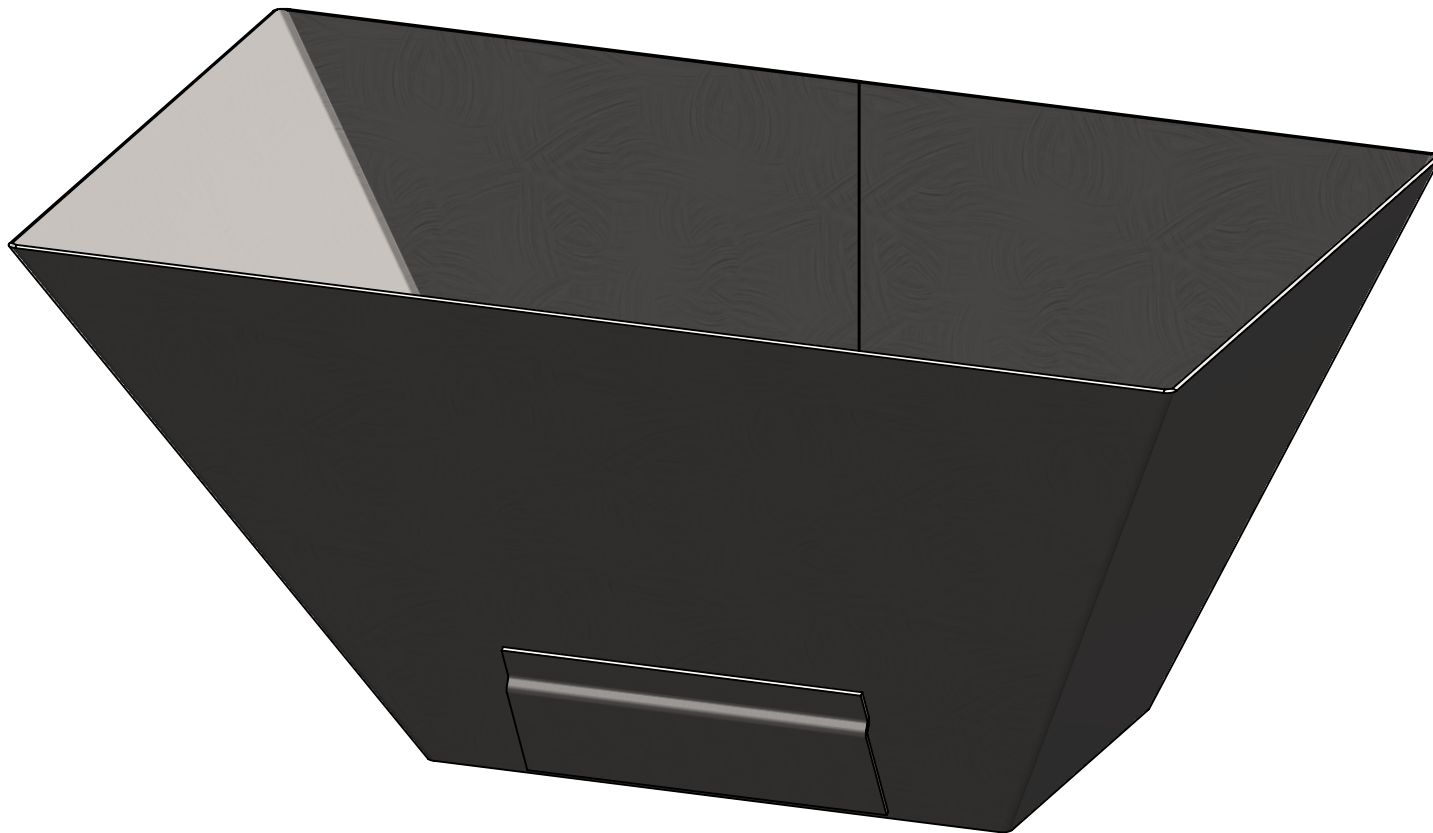
5

4

3

2

1



Advanced Poly-Packaging, Inc.

1331 Emmitt Road • Akron, OH 44306 • 1-800-754-4403 • fax 330-785-4010 • www.advancedpoly.com

DESCRIPTION:			
STANDARD EXTENSION FUNNEL FOR ALL APP STANDARD FUNNELS			
SIZE:	DWG. NO:	REV:	
A	TO-T1-FU-EXT		
SCALE:	WEIGHT:	#	SHEET:
1:2			4 of 6

DIMENSIONS ARE IN INCHES TOLERANCES: FRACTIONAL: ±1/64 ANGULAR: MACH: ±1° TWO PLACE DECIMAL: ±0.010 THREE PLACE DECIMAL: ±0.003 (UNLESS OTHERWISE SPECIFIED)	PROPRIETARY AND CONFIDENTIAL	BOM REF: T-1000 BAGGER	DESIGNED BY: 	APPROVED: <i>Stuart Baker</i>
	THE INFORMATION CONTAINED IN THIS DRAWING IS THE SOLE PROPERTY OF <i>Advanced Poly-Packaging, Inc.</i> ANY REPRODUCTION IN PART OR AS A WHOLE WITHOUT THE WRITTEN PERMISSION OF <i>APP</i> IS PROHIBITED.	NUMBER REQ'D: 1	DESIGN DATE:	PROJECT: STANDARD FUNNEL
		MATERIAL:	DETAILED BY:	SOURCE P/N:
		FINISH: NONE	DETAIL DATE:	P/N: TO-T1-FU-10

REMOVE ALL SHARP EDGES

6

5

4

3

2

1

A

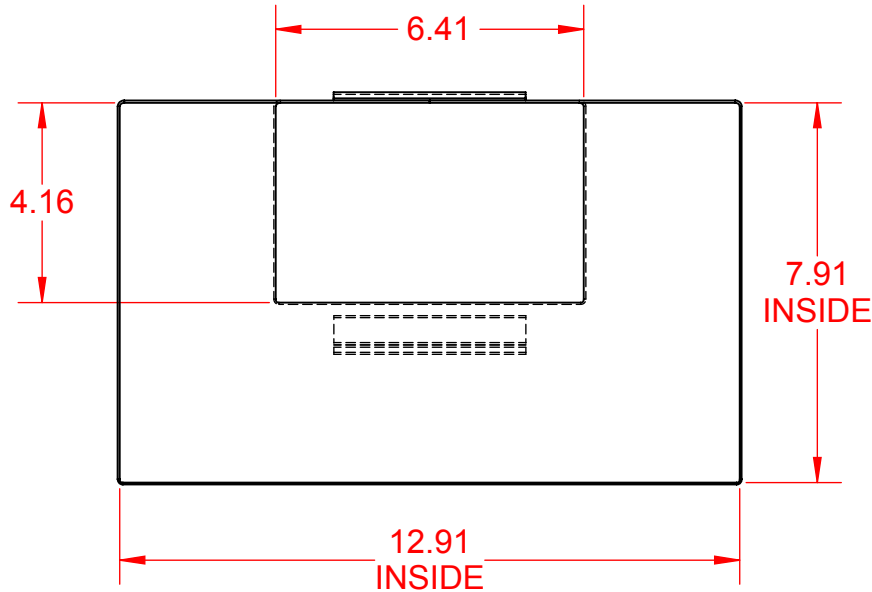
A

D

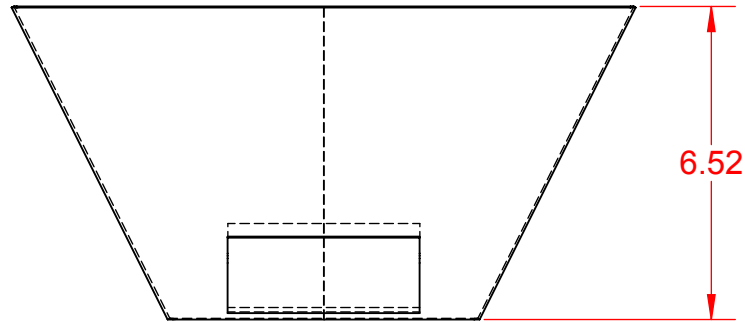
C

B

A



Note: Extension funnels increase the top opening. Bottom opening fits any size APP standard funnel. Extension funnel rests on the top and slightly inside the standard funnel but the extension can be fastened if required.



DIMENSIONS ARE IN INCHES
TOLERANCES:
 FRACTIONAL: ±1/64
 ANGULAR: MACH: ±1°
 TWO PLACE DECIMAL: ±0.010
 THREE PLACE DECIMAL: ±0.003
 (UNLESS OTHERWISE SPECIFIED)

REMOVE ALL SHARP EDGES

PROPRIETARY AND CONFIDENTIAL

THE INFORMATION CONTAINED IN THIS DRAWING IS THE SOLE PROPERTY OF *Advanced Poly-Packaging, Inc.* ANY REPRODUCTION IN PART OR AS A WHOLE WITHOUT THE WRITTEN PERMISSION OF *APP* IS PROHIBITED.

BOM REF:
T-1000 BAGGER

NUMBER REQ'D:
1

MATERIAL:

FINISH:
NONE

DESIGNED BY:

DESIGN DATE:

DETAILED BY:

DETAIL DATE:

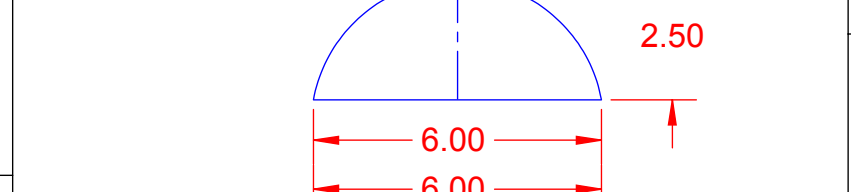
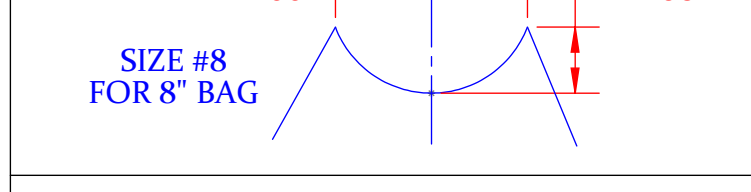
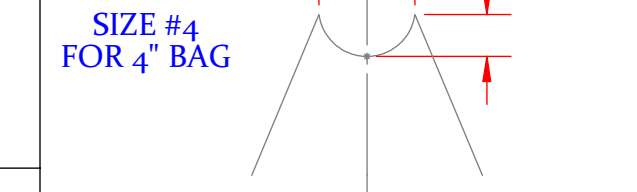
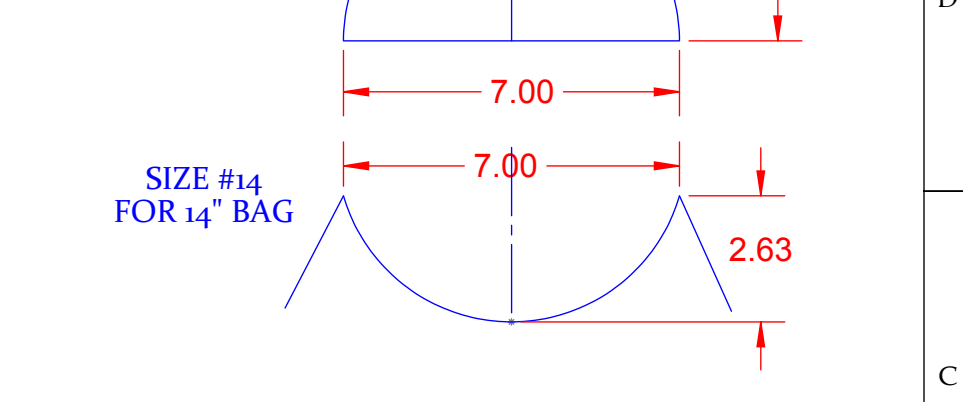
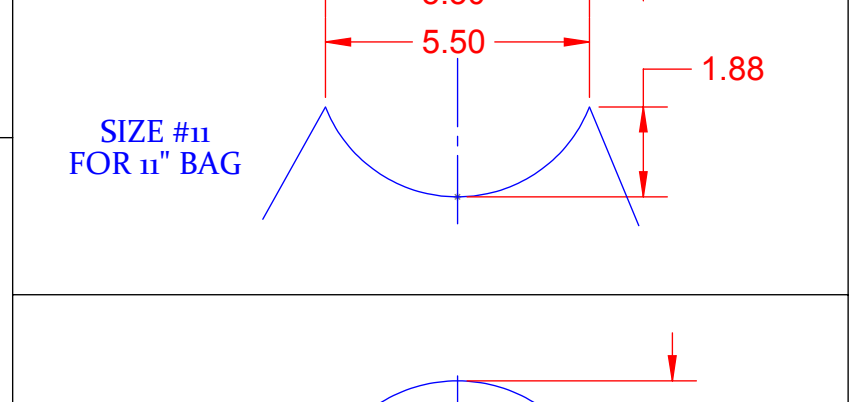
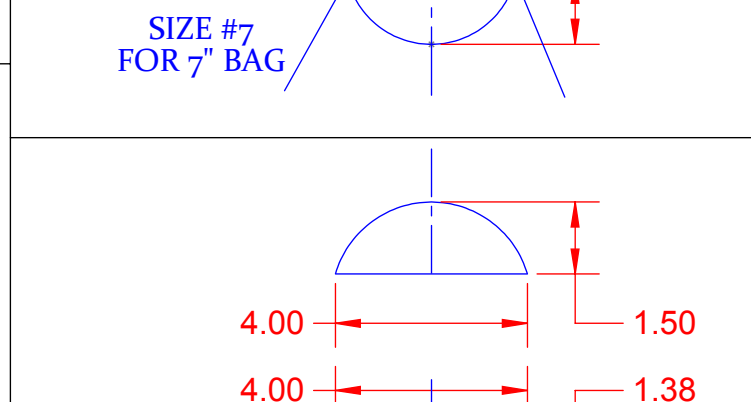
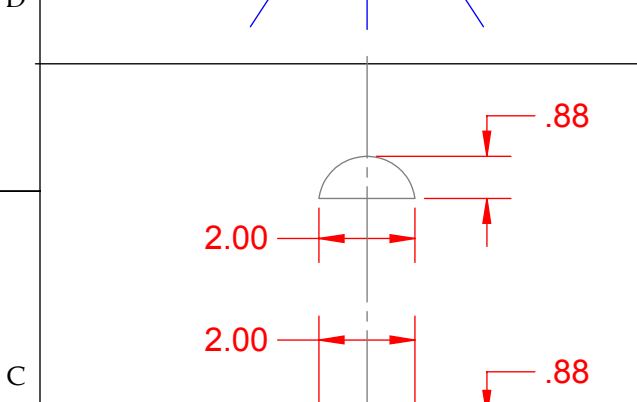
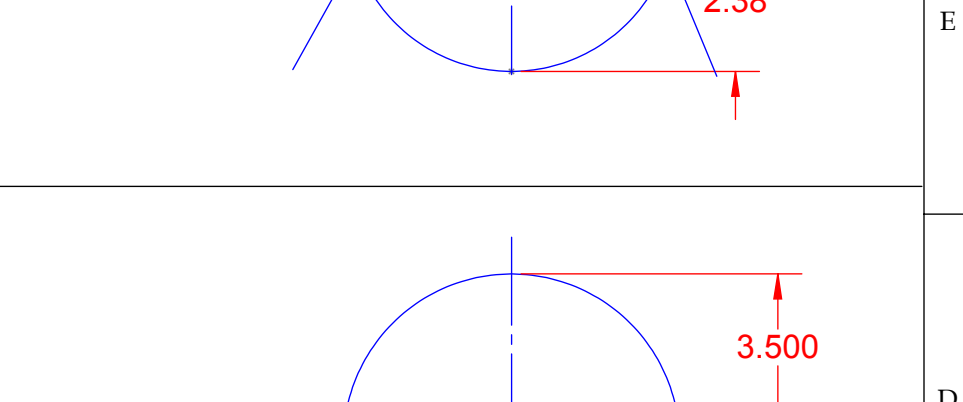
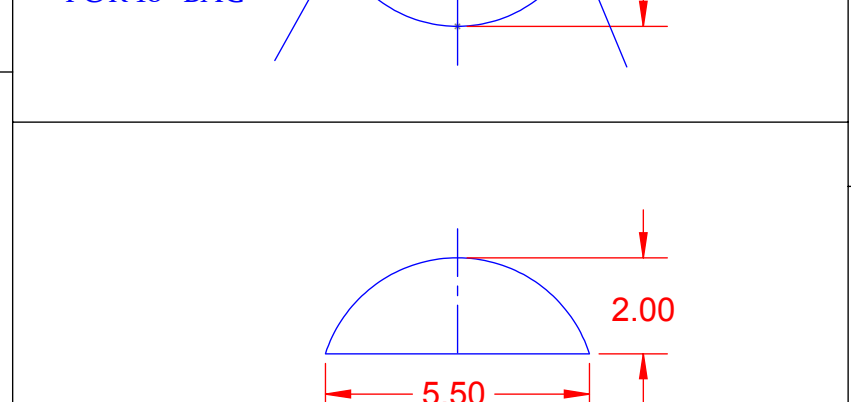
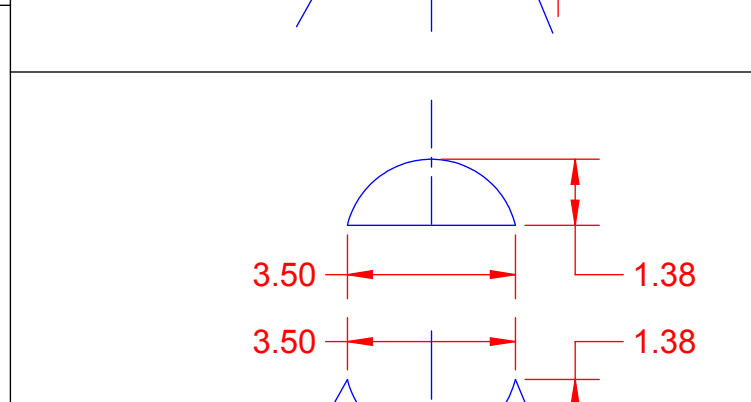
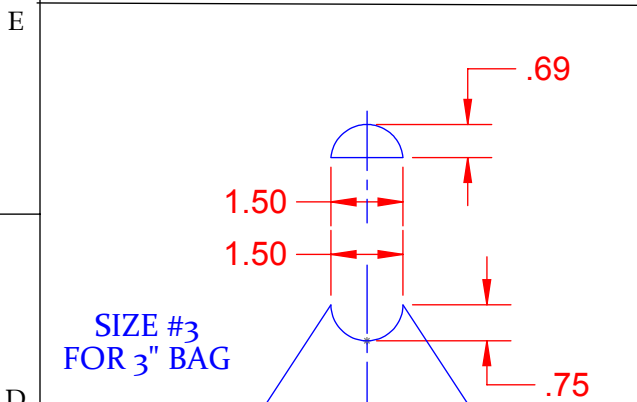
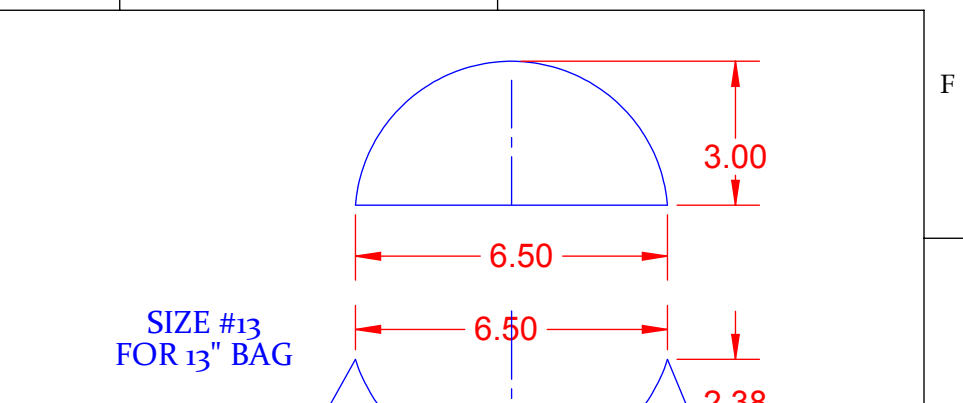
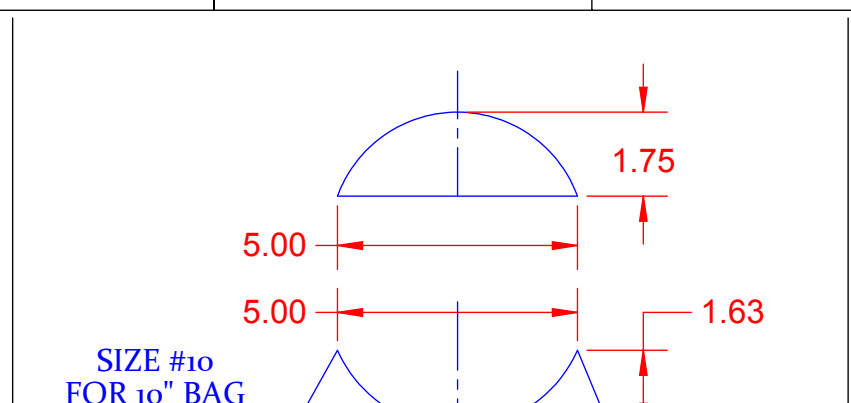
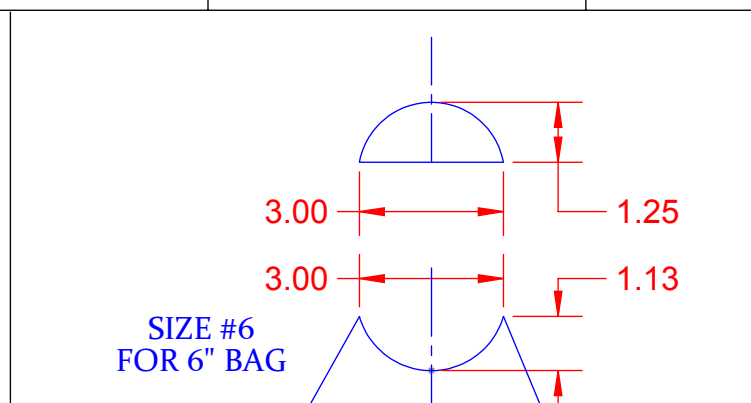
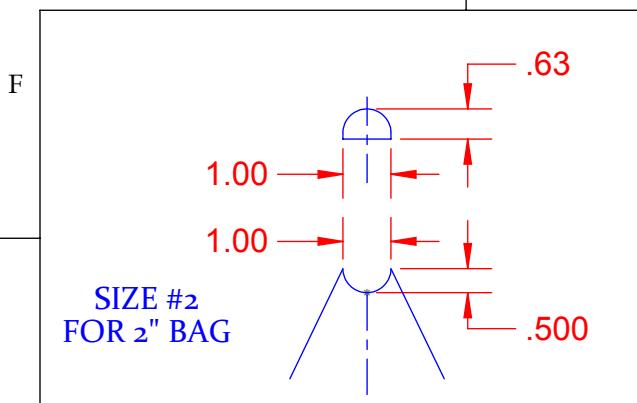
APPROVED:
Stuart Baker

PROJECT:
STANDARD FUNNEL

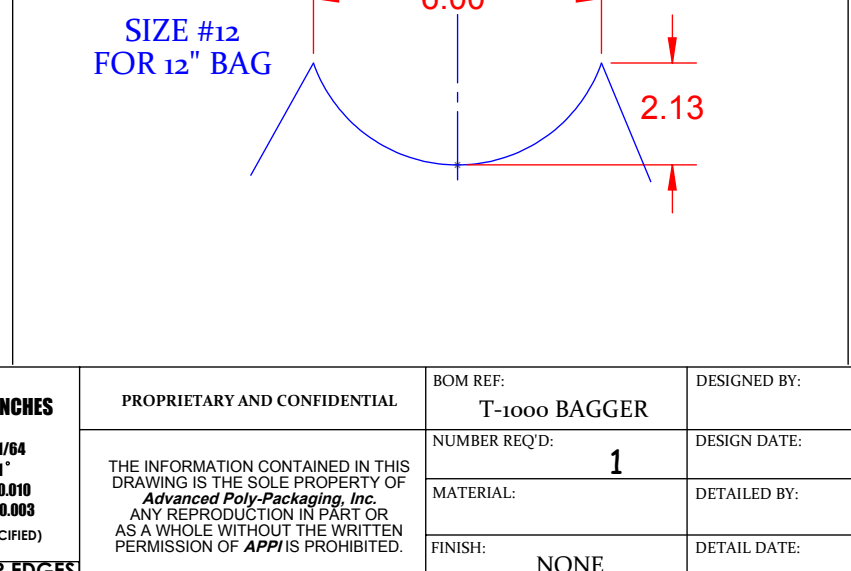
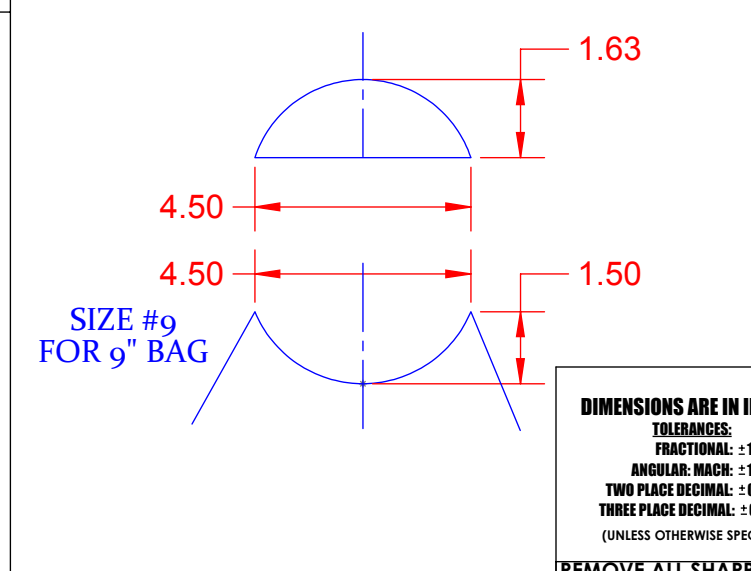
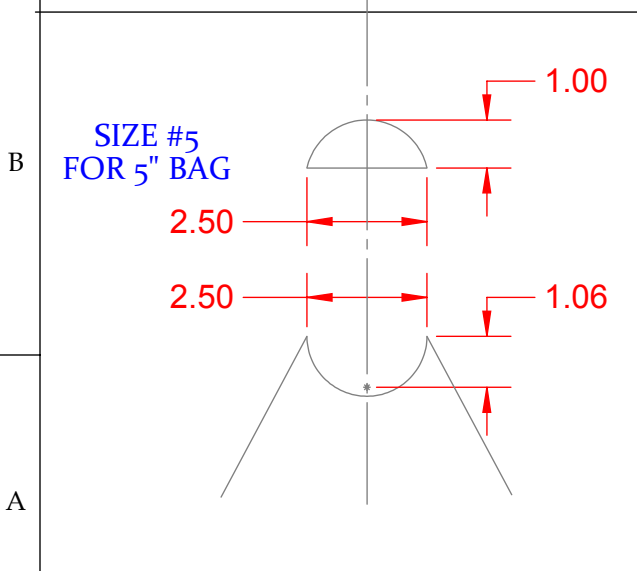
SOURCE P/N:

P/N:
TO-T1-FU-10

DESCRIPTION: EXTENSION FUNNEL FOR ALL APPI STANDARD FUNNELS			
SIZE: A	DWG. NO: TO-T1-FU	REV: A	
SCALE: 1:4	WEIGHT: #	SHEET: 5 of 6	



Note: APP can perform product testing to confirm the proper funnel size. Please contact APP Machine Sales for this free service. APP first select the proper funnel size and then determines the proper bag width. Each bag width listed is a "target" width, which must be confirmed by testing in production to prevent product spillage or funnel jamming.



***FUNNEL SIZES ARE SUBJECT TO PRODUCT TESTING.**

Advanced Poly-Packaging, Inc.
 1381 Emmitt Road • Akron, OH 44306 • 1-800-754-4403 • fax 330-785-4010 • www.advancedpoly.com

DESCRIPTION:		STANDARD FUNNEL BOTTOM OPENING CHART	
SIZE:	DWG. NO:	REV:	
B	TO-T1-FU	A	
SCALE:	WEIGHT:	SHEET:	
1:4	#	6 of 6	

DIMENSIONS ARE IN INCHES
 TOLERANCES:
 FRACTIONAL: ±1/64
 ANGULAR: MACH: ±1°
 TWO PLACE DECIMAL: ±0.010
 THREE PLACE DECIMAL: ±0.003
 (UNLESS OTHERWISE SPECIFIED)
REMOVE ALL SHARP EDGES

PROPRIETARY AND CONFIDENTIAL

THE INFORMATION CONTAINED IN THIS DRAWING IS THE SOLE PROPERTY OF **Advanced Poly-Packaging, Inc.** ANY REPRODUCTION IN PART OR AS A WHOLE WITHOUT THE WRITTEN PERMISSION OF **APP** IS PROHIBITED.

BOM REF:
T-1000 BAGGER

NUMBER REQ'D:
1

MATERIAL:

FINISH:
NONE

DESIGNED BY:

DESIGN DATE:

DETAILED BY:

DETAIL DATE:

APPROVED:
Stuart Baker

PROJECT:
STANDARD FUNNEL

SOURCE P/N:

P/N:
TO-T1-FU-10