

Standard Options

Description: European Conformity Assembly

P/N: TO-T1-CE10-S18

Machine: T-1000-S18

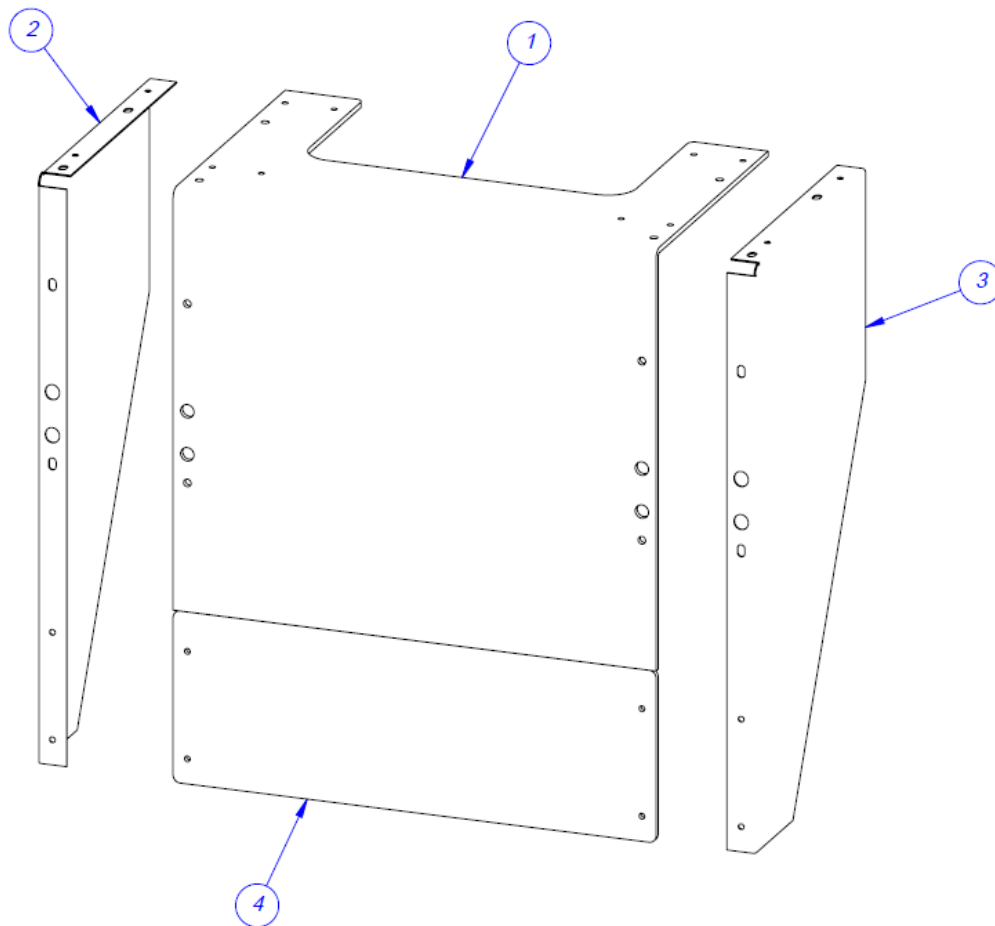
Manual Revision: 1



European Conformity Assembly

TO-T1-CE10

ITEM NO.	QTY.	PART NO	DESCRIPTION
1	1	TP-T1LC-001W18-1	LEXAN GUARD FOR 5.25 PASS THRU W/ L.C.
2	1	TP-T1CE-001	SIDE GUARD FOR 5.25 PASS THRU (L.H. - L.C.)
3	1	TP-T1CE-002	SIDE GUARD FOR 5.25 PASS THRU (R.H. - R.C.)
4	1	TP-T1CE-003W18	LEXAN GUARD EXTENSION-WIDE



Note: The parts shown are for units with a 5.25" Pass-Through.

For units with a 6.25" Pass-Through:

TP-T1LC-001W18-1 should be TP-T1LC-001W18-2

TP-T1CE-001 should be TP-T1CE-001-2

TP-T1CE-002 should be TP-T1CE-002-2

For units with a 7.25" Pass-Through:

TP-T1LC-001W18-1 should be TP-T1LC-001W18-3

TP-T1CE-001 should be TP-T1CE-001-3

TP-T1CE-002 should be TP-T1CE-002-3