

# Standard Options

---

Description: Flat Seal Assembly

P/N: TO-T1-FS30

Machine: T-1000

Manual Revision: 1

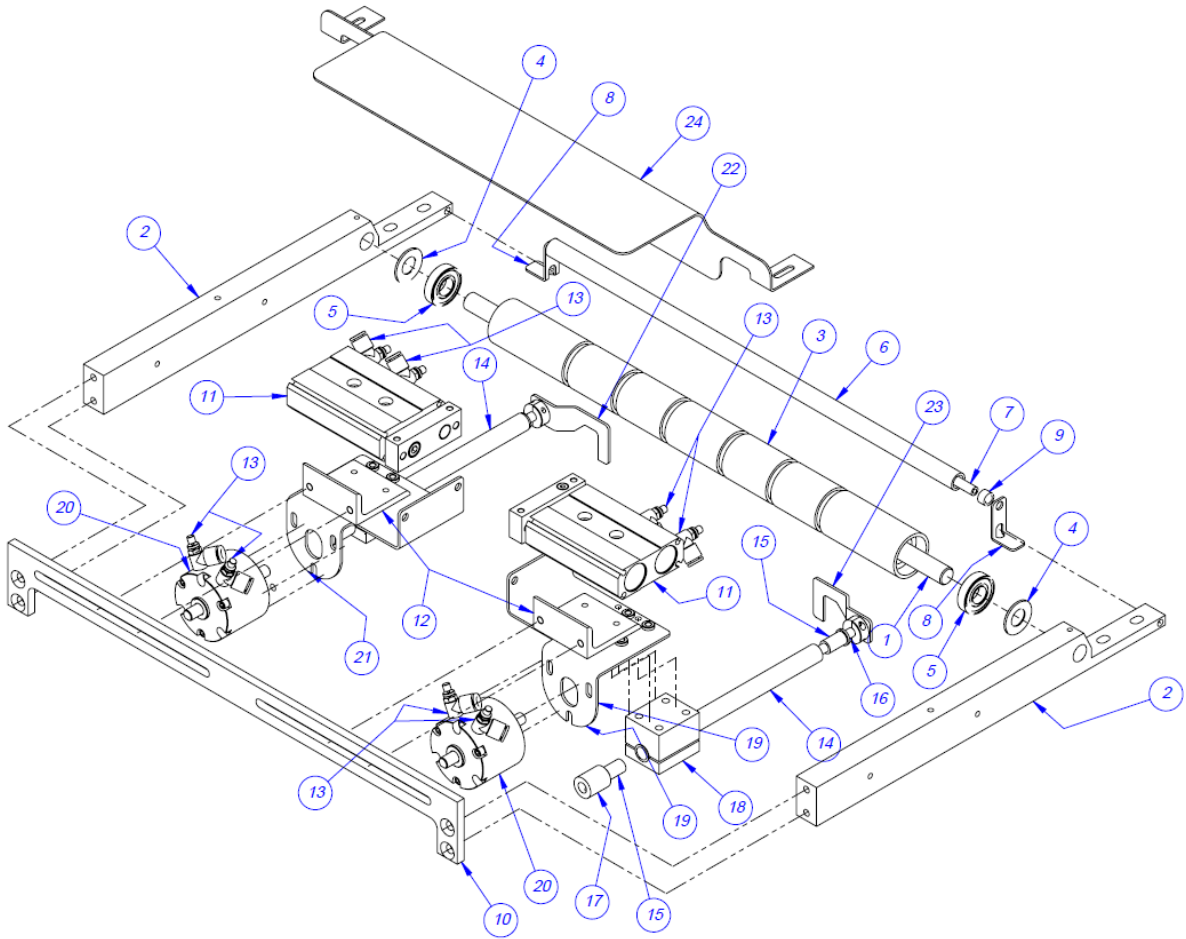


# Flat Seal Assembly – Standard Frame

TO-T1-FS30-SF

ITEM NO.	QTY.	PART NO	DESCRIPTION
1	1	TP-T1MB00013	ALUMINUM ROLLER SHAFT
2	2	TP-FS30-101-1	ROLLER MOUNTING BLOCK
3	1	TP-T1MB00012	ROLLER
4	2	TP-107227	BUSHING, THRUST NYLON
5	2	TP-504107	BEARING, .500 BORE, 1.125 OD, 9/32 WIDE
6	1	TP-T1MB00155	FILM WEB TENSION ROLL
7	1	TP-T1MB00156	FILM WEB TENSION SHAFT
8	2	TP-T1MC00121	REAR ROLLER CLIP
9	2	TP-107163	SLEEVE BUSHING
10	1	TP-FS30-102	FLAT SEAL MOUNT
11	2	TP-403556	DUAL ROD CYLINDER
12	2	TP-FS30-103	ACTUATOR MOUNT
13	8	TP-402186	FLOW CONTROL
14	2	TP-FS30-108	ALUMINUM TUBE, HIGH STRENGTH
15	4	TP-107212	FLANGED SLEEVE BEARING
16	2	TP-FS30-111	FLAT SEAL FINGER SHAFT
17	2	TP-FS30-106	FINGER SHAFT COUPLER
18	2	TP-FS30-107	FINGER BLOCK
19	1	TP-FS30-104	ROTARY ACTUATOR MOUNT (RIGHT)
20	2	TP-403053	ROTARY ACTUATOR
21	1	TP-FS30-105	ROTARY ACTUATOR MOUNT (LEFT)
22	1	TP-FS30-109-1	FLAT SEAL FINGER S14 (RIGHT)
23	1	TP-FS30-110-1	FLAT SEAL FINGER S14 (LEFT)
24	1	TP-FS30-112	PASS THROUGH GUARD

# Flat Seal Assembly – Standard Frame



## Flat Seal Assembly – Drop Frame

TO-T1-FS30-DF

ITEM NO.	QTY.	PART NO	DESCRIPTION
1	1	TP-T1MB00013	ALUMINUM ROLLER SHAFT
2	2	TP-FS30-101-1	ROLLER MOUNTING BLOCK
3	1	TP-T1MB00012	ROLLER
4	2	TP-107227	BUSHING, THRUST NYLON
5	2	TP-504107	BEARING, .500 BORE, 1.125 OD, 9/32 WIDE
6	1	TP-T1MB00155	FILM WEB TENSION ROLL
7	1	TP-T1MB00156	FILM WEB TENSION SHAFT
8	2	TP-T1MC00121	REAR ROLLER CLIP
9	2	TP-107163	SLEEVE BUSHING
10	1	TP-FS30-102	FLAT SEAL MOUNT
11	2	TP-403556	DUAL ROD CYLINDER
12	2	TP-FS30-103	ACTUATOR MOUNT
13	8	TP-402186	FLOW CONTROL
14	2	TP-FS30-108	ALUMINUM TUBE, HIGH STRENGTH
15	4	TP-107212	FLANGED SLEEVE BEARING
16	2	TP-FS30-111	FLAT SEAL FINGER SHAFT
17	2	TP-FS30-106	FINGER SHAFT COUPLER
18	2	TP-FS30-107	FINGER BLOCK
19	1	TP-FS30-104	ROTARY ACTUATOR MOUNT (RIGHT)
20	2	TP-403053	ROTARY ACTUATOR
21	1	TP-FS30-105	ROTARY ACTUATOR MOUNT (LEFT)
22	1	TP-FS30-109	FLAT SEAL FINGER S14 (RIGHT)
23	1	TP-FS30-110	FLAT SEAL FINGER S14 (LEFT)
24	1	TP-FS30-112	PASS THROUGH GUARD

**Note:**

*TP-403556 is the 20mm stroke cylinder to be used in the flat seal assemblies for bag widths up to 8"*

*TP-403553 is the 30mm stroke cylinder to be used for bag widths from 8" to 14"*

*TP-403557 is the 40mm stroke cylinder to be used for bag widths from 14" to 18"*

# Flat Seal Assembly – Drop Frame

