

# Standard Options

---

Description: European Conformity Assembly

P/N: TO-T1-CE10

Machine: T-1000-S14

Manual Revision: 1

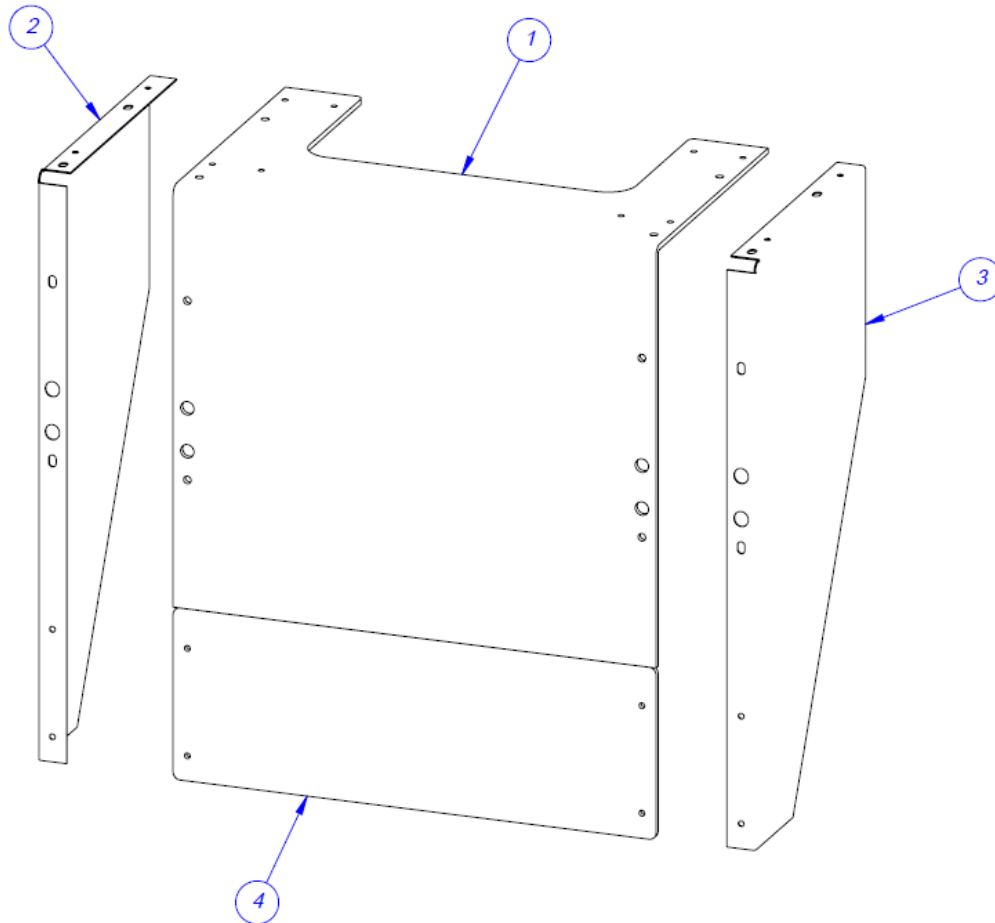


Advanced  
Poly-Packaging, Inc.

# European Conformity Assembly

## TO-T1-CE10

ITEM NO.	QTY.	PART NO	DESCRIPTION
1	1	TP-T1LC-001-1	LEXAN GUARD FOR 5.25 PASS THRU W/ L.C.
2	1	TP-T1CE-001	SIDE GUARD FOR 5.25 PASS THRU (L.H. - L.C.)
3	1	TP-T1CE-002	SIDE GUARD FOR 5.25 PASS THRU (R.H. - R.C.)
4	1	TP-T1CE-003	LEXAN GUARD EXTENSION



*Note: The parts shown are for units with a 4.25" or 5.25" Pass-Through.*

*For units with a 6.25" Pass-Through:  
TP-T1LC-001-1 should be TP-T1LC-001-2  
TP-T1CE-001 should be TP-T1CE-001-2  
TP-T1CE-002 should be TP-T1CE-002-2*

*For units with a 7.25" Pass-Through:  
TP-T1LC-001-1 should be TP-T1LC-001-3  
TP-T1CE-001 should be TP-T1CE-001-3  
TP-T1CE-002 should be TP-T1CE-002-3*