

Standard Options

Description: E-STOP Assembly

P/N: TO-UF2-ES10

Machine: UF-2000

Manual Revision: 1

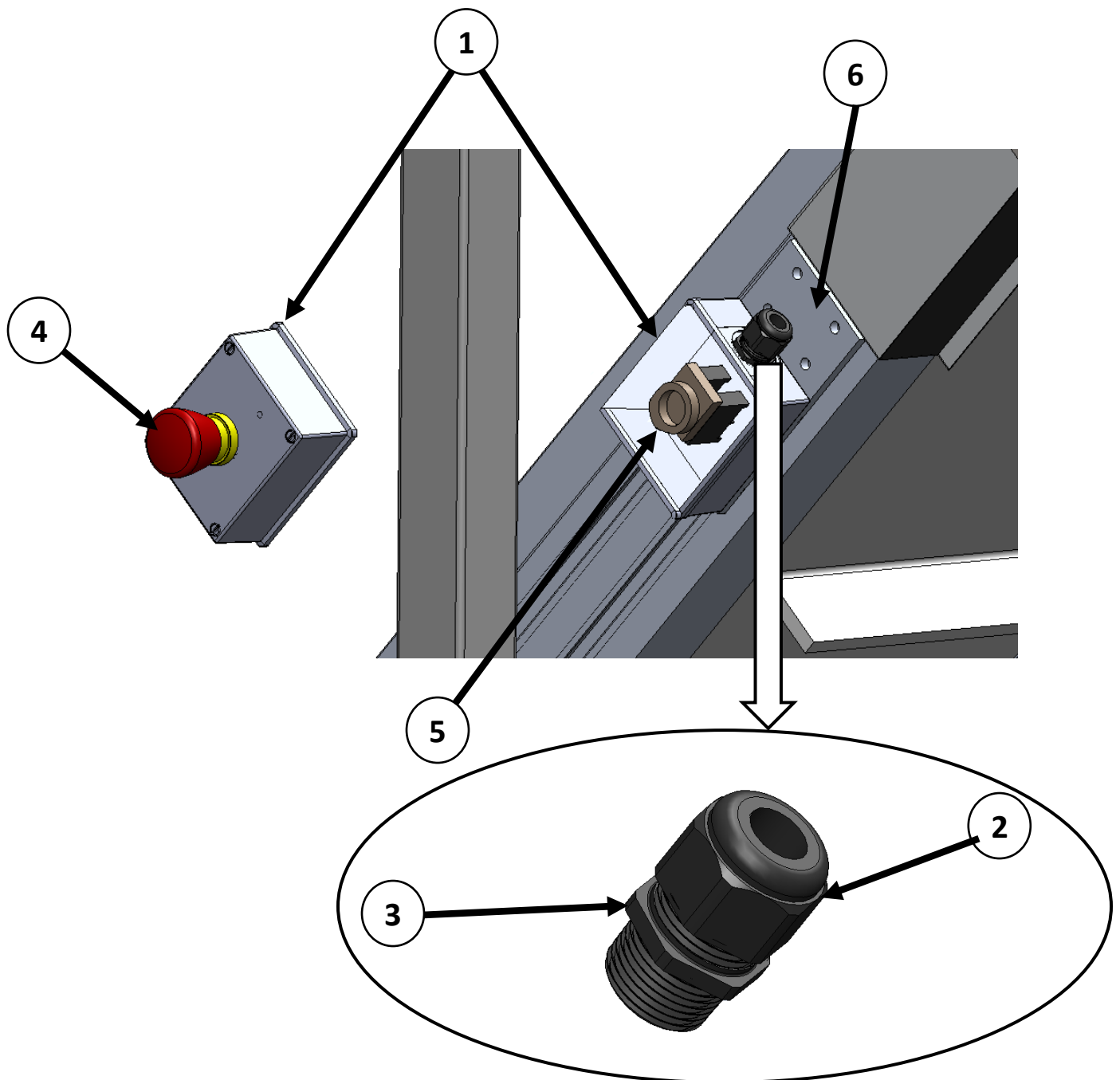


Advanced
Poly-Packaging, Inc.

E-STOP Assembly

TO-UF2-ES10

ITEM NO.	QTY.	PART NO	DESCRIPTION
1	1	TP-225128	METAL ENCLOSURE
2	1	TP-112242	STRAIN RELIEF
3	1	TP-112243	BLACK LOCKNUT
4	1	TP-215016	E-STOP BUTTON
5	1	TP-215017	E-STOP SWITCH
6	1	TP-UF2-ES10-001	E-STOP MOUNT PLATE
7	1	TP-213339	CABLE, 5-CONDUCTOR (NOT SHOWN)



E-STOP Schematic

TO-UF2-ES10

