



How To

Service Documents from APPI

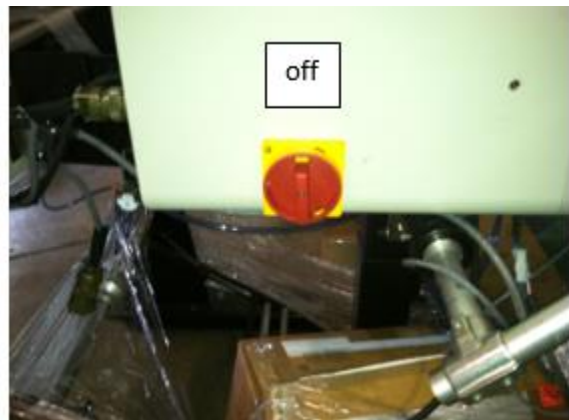
Document: #HT000077

Document Title: Replace Drive Belt

Product(s): T-1000

Procedure:

Turn Main Power Switch counter-clockwise to the "OFF" position.



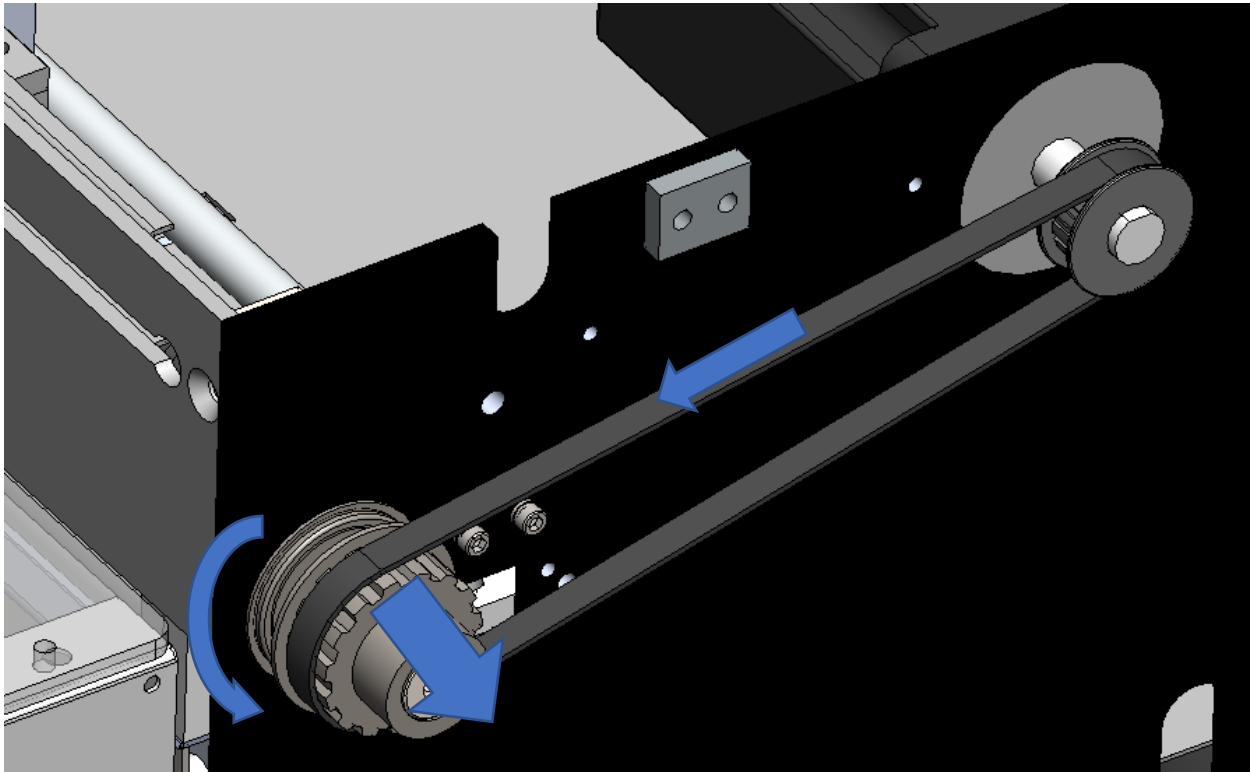
Unscrew button head screw on side panel and remove cover.



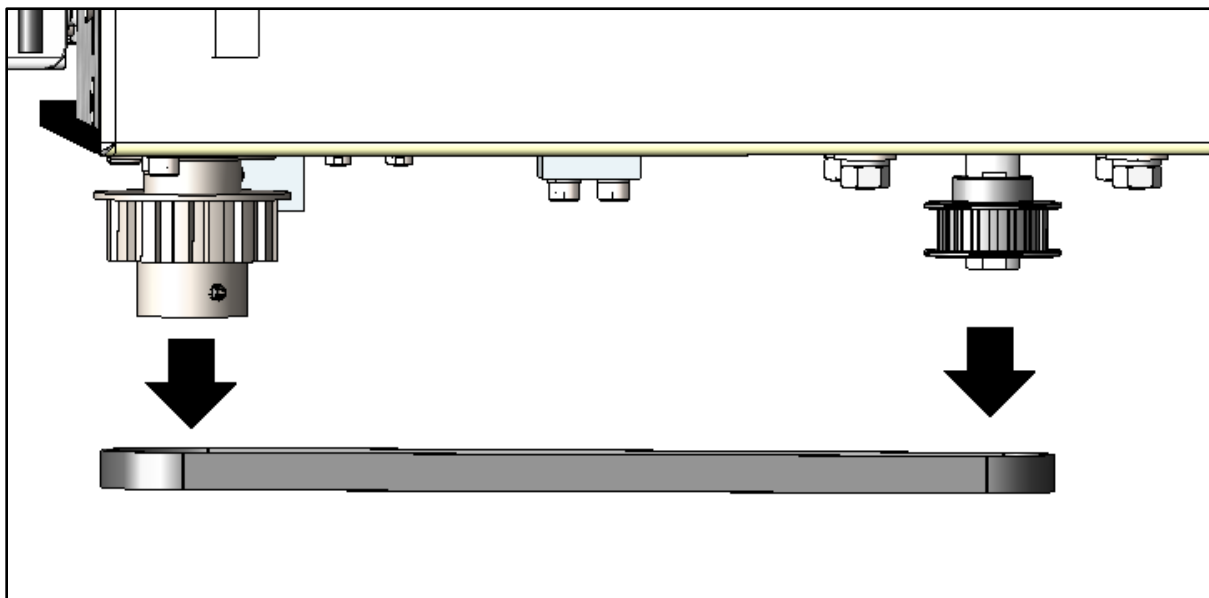


How To

Service Documents from APPI



Slide belt off **Drive Pulley** while rotating, and remove from **Motor Pulley**.



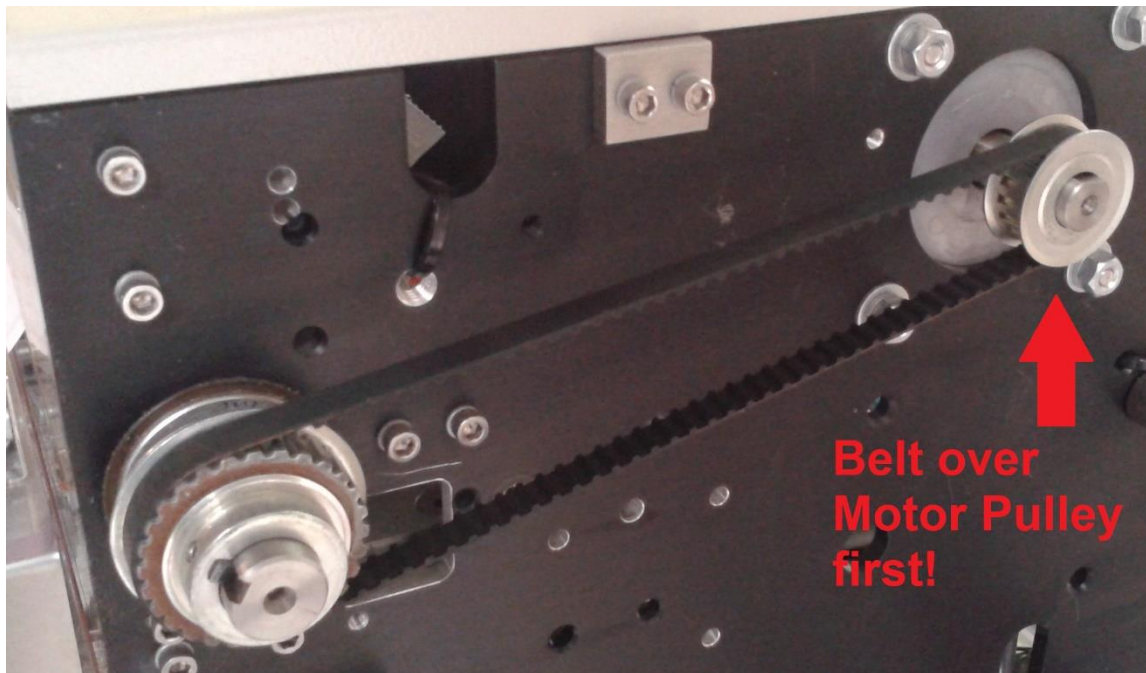
(Top View)



How To

Service Documents from APPI

Slide new belt (PN TP-502104) over **Motor Pulley** first, and then over **Drive Pulley**, aligning the teeth in the belt to the grooves in the **Drive Pulley** while rotating. This helps to allow the belt to slide back over **Roller Pulley**.



Replace side panel and button head screw.

